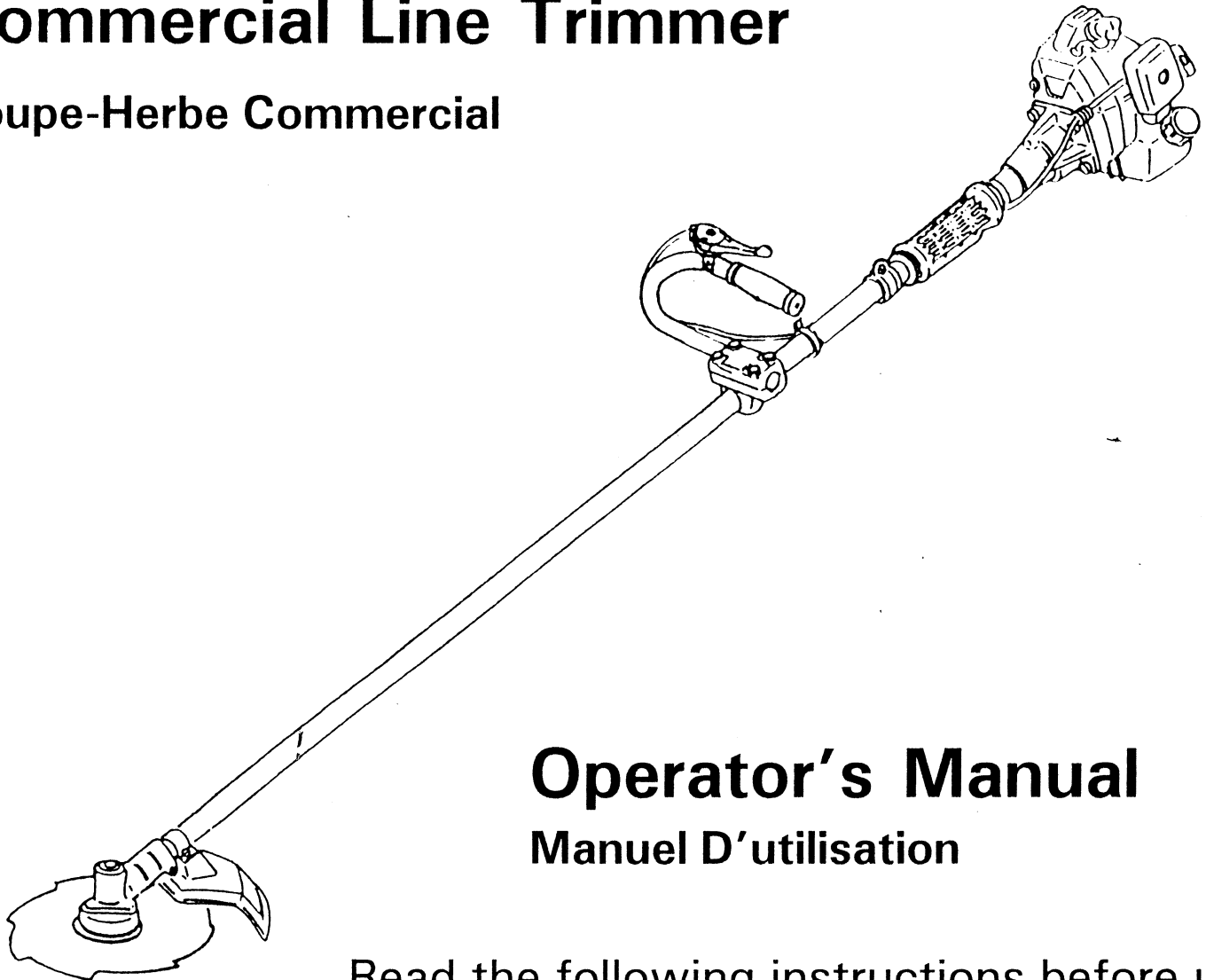


BANNERMAN

BW4600-X

Commercial Line Trimmer

Coupe-Herbe Commercial



Operator's Manual

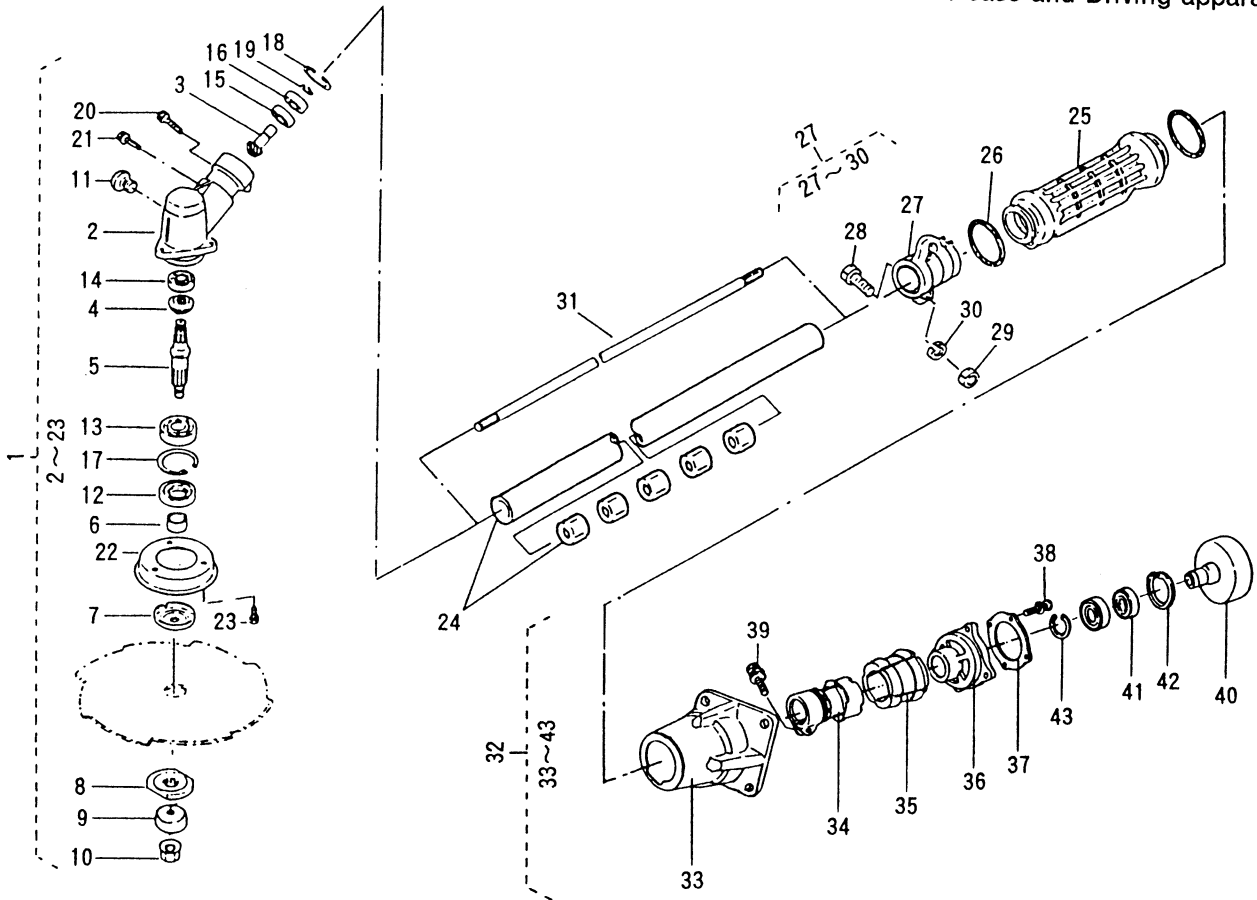
Manuel D'utilisation

Read the following instructions before use.

BW4600X

PARTS LIST

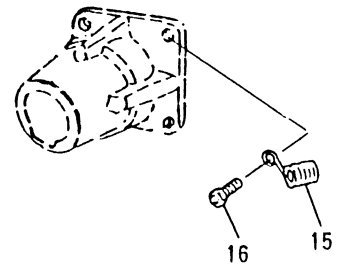
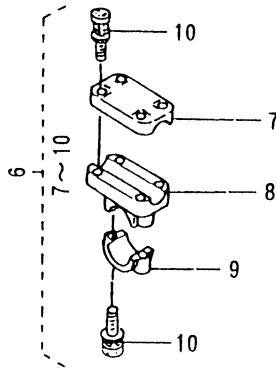
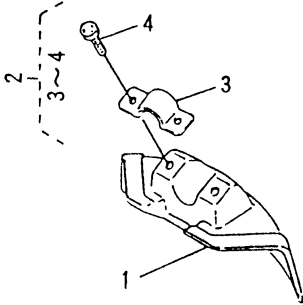
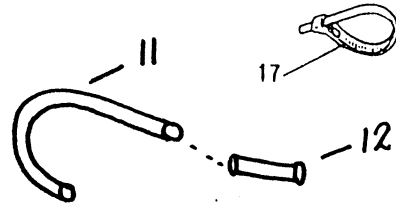
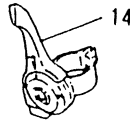
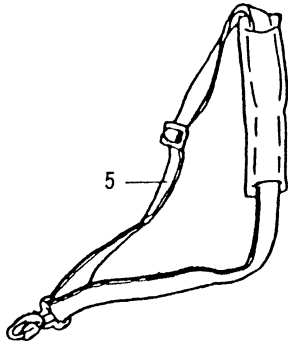
Gear case and Driving apparatus



REF. NO.	PARTS NO.	PARTS NAME	Q' TY				RECOMM. (%)	REMARKS
			INCLUDING					
1	71008 242	GEAR CASE ASS'Y	1				-	
2	51001 221	GEAR CASE		1			3	
3	78002 130	BEVEL PINION		1			5	
4	78001 102	BEVEL GEAR		1			5	
5	64001 144	SPLINE SHAFT		1			8	
6	61001 119	SPLINE SLEEVE		1			10	
7	11001 150	HOLDER(A)		1			10	
8	11002 126	HOLDER(B)		1			12	
9	36068 125	GUARD		1			12	
10	31001 106	SAW LOCK NUT		1			15	
11	377L 0810	(+)BINDING SCREW	M8×10	1			10	
12	61002 128	OIL SEAL	TC17×32×8	1			10	
13	919B 6201	BEARING	6201C3	1			5	
14	913B 0629	BEARING	629	1			5	
15	913B 6000	BEARING	6000	1			5	
16	912B 6000	BEARING	6000ZZ	1			5	
17	811V 3200	C-SNAP RING FOR HOLE	φ 32	1			5	
18	811V 2600	C-SNAP RING FOR HOLE	φ 26	1			5	
19	812V 1000	C-SNAP RING FOR SHAFT	φ 10	1			5	
20	412U 0620	SOCKET SCREW	M6x20	1			3	
21	335M 0512	FLANGE BOLT	M5x12	1			3	
22	11004 129	GRASS COVER		1			3	
23	318L 0510	(+)HEXAGON BOLT(W/SW)	M5x10	3			3	
24	71130 142	MAIN PIPE C. P.		1			3	
25	36001 110	MAIN GRIP		1			4	

PARTS LIST

Handle and Fittings



REF. NO.	PARTS NO.		PARTS NAME	Q' TY			RECOMM. (%)	REMARKS
				INCLUDING				
1	36046	133	SAFETY GUARD	1			4	
2	71038	148	SAFETY GUARD BAND SET	1			-	
3	11029	107	SAFETY GUARD BAND	1			4	
4	322L	0615	(+)HEXAGON BOLT M6x15	2			3	
5	36063	182	SHOULDER BAND	1			5	
6	71011	122	HANDLE JOINT ASS'Y	1			-	
7	51009	129	HANDLE JOINT(A)	1			3	
8	51010	134	HANDLE JOINT(B)	1			3	
9	51013	113	HANDLE JOINT(C)	1			3	
10	315L	0625	(+)HEXAGON BOLT(W/SW, PW) M6x25	6			3	
14	91010	153	THROTTLE LEVER	1			4	
15	51104	109	GUIDE	1			4	
16	315N	0620	(+)HEXAGON BOLT(W/SW, PW) M6x20	4			3	
17	68028	103	WIRE BAND	1			3	
11			HOOK HANDLE 3/4 DIA	1				
12	36007-129		GRIP - RUBBER 3/4	1				