

The logo for Banner, featuring the word "Banner" in a stylized, italicized white font with a black outline, set against a green rectangular background.

Banner

A DIVISION OF GORDON BANNERMAN LTD.

A detailed view of the BP-1 Lawn Bowl Pusher. It is a metal frame with a black handle, a central horizontal bar, and two angled legs. Each leg has a small wheel at the bottom. The device is designed to push a lawn bowl.

BP-1

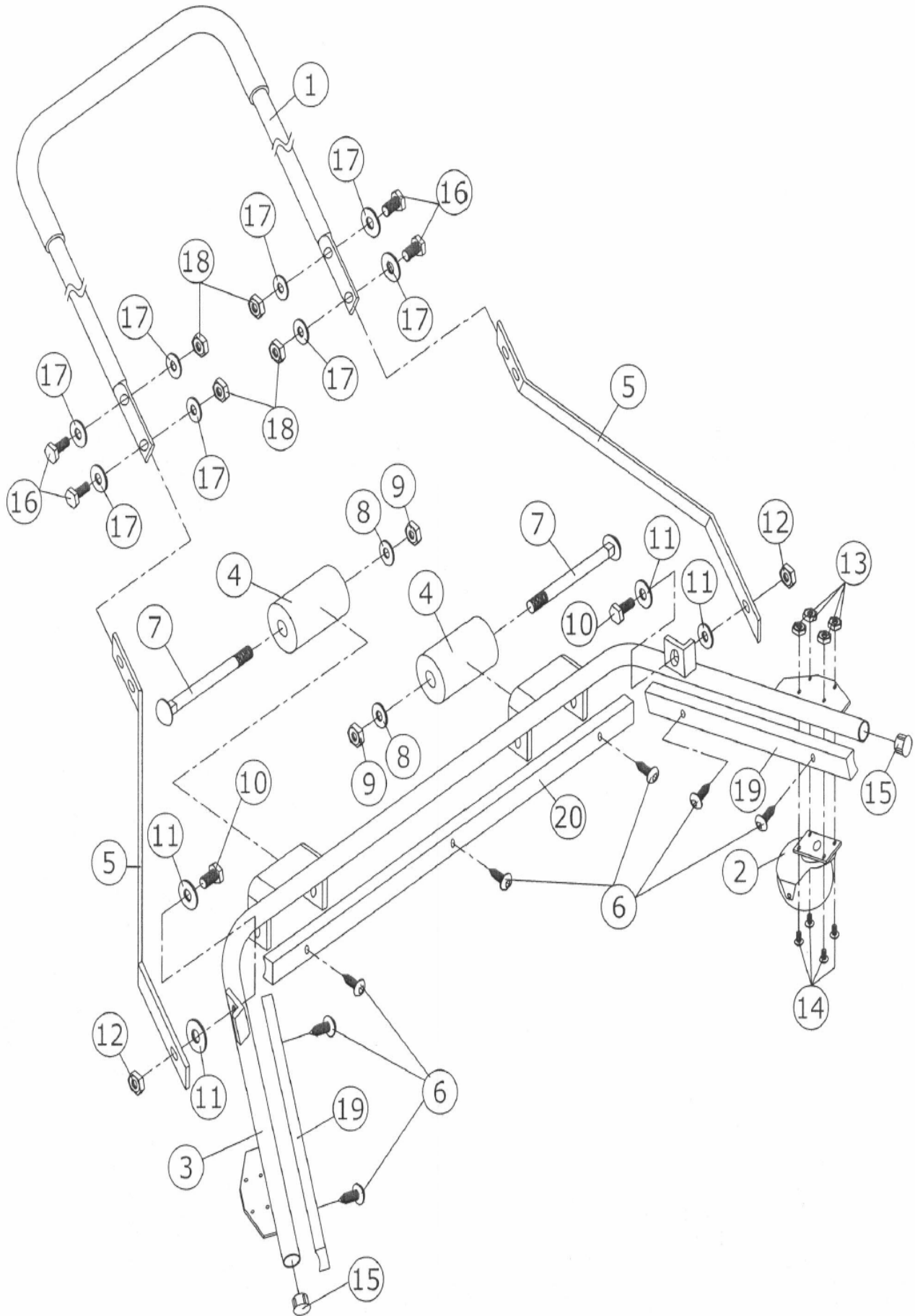
LAWN BOWL

PUSHERS

BP-1 LAWNS BOWLS PUSHER PARTS LIST

ITEM NO.	PART NO.	PARTS DESCRIPTION	QTY
1	00901	Handle – Upper	1
2	00902	Casters	2
3	00903	Wishbone	1
4	00904	Rollers	2
5	00909	Handle – Lower	2
6	00907	Screw – 8 x 5/8" Self Tap	7
7	00912	Carriage Bolt – 3/8" – 16 x 5" (Roller Axle)	2
8	02024	Washer – 3/8" Flat SAE	2
9	03022	Nut – 3/8"- 16 Nylon Insert	2
10	02002	Bolt – 5/16"-18 x 1" HHC	2
11	02005	Washer – Flat 5/16 SAE	4
12	02004	Nut – 5/16" – 18 Nylon Insert	2
13	02048	Nut – 10-24 Nylon Insert	8
14	11230	Bolt – 10-24 x 0.5" Round Head	8
15	09047	Plugs – Tube	2
16	03004	Bolt – ¼" – 20 x 1" HHC	4
17	02066	Washer – Flat ¼" SAE	8
18	03007	Nut – ¼" – 20 Nylon Insert	4
19	00910	Woods – 12" Short	2
20	00911	Woods – 24" Long	1

B-BP-1 Lawn Bowls Pusher



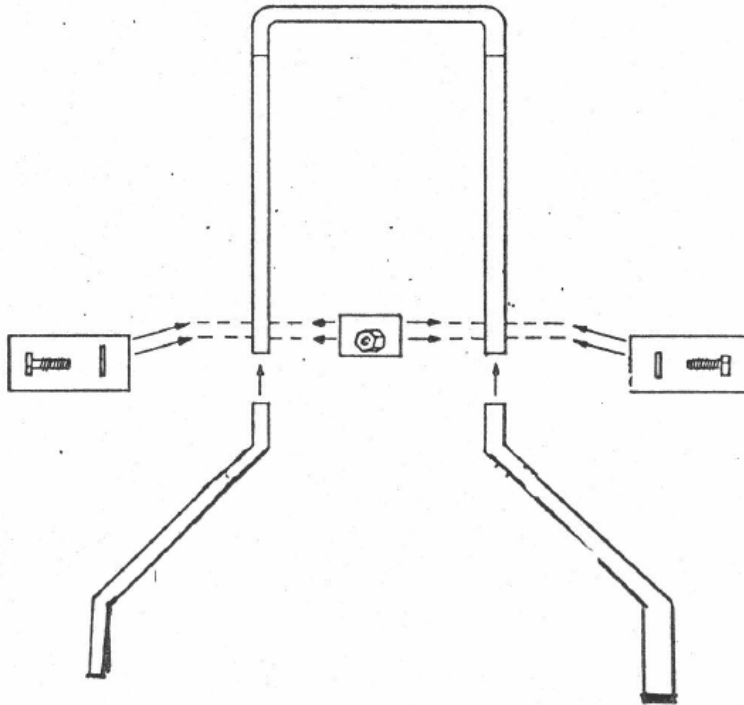
Bannerman BP-1 Lawn Bowls Pusher

Assembly Instructions

PLEASE READ ALL INSTRUCTIONS BEFORE ATTEMPTING ASSEMBLY

HANDLE ASSEMBLY:

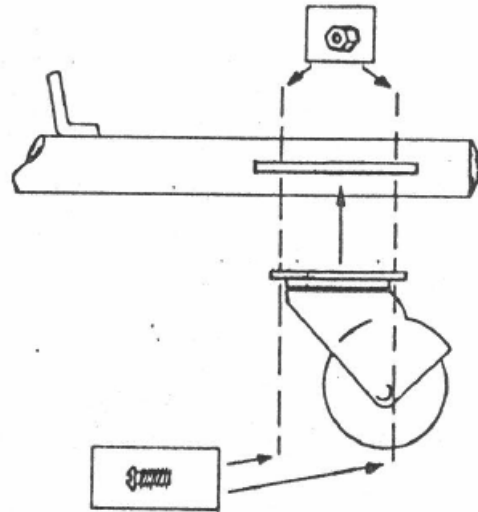
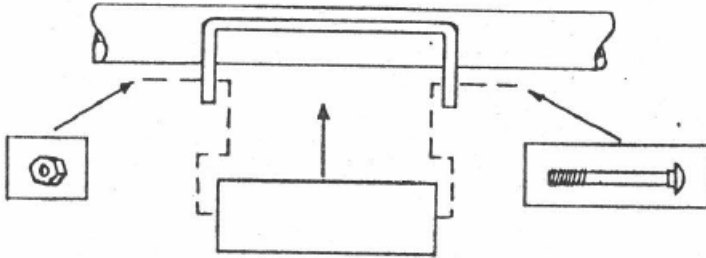
- Parts Required:
- 2 – Lower Handle
 - 1 – Upper Handle
 - 4 – $\frac{1}{4}$ " x 1" Bolts
 - 8 – $\frac{1}{4}$ " Flat Washers
 - 4 – $\frac{1}{4}$ " Nylon Insert Nuts



The longer length of the small angle brackets is inserted into the upper handle and fastened with $\frac{1}{4}$ " x 1" bolts, washers and nylon insert nuts. Note that the washers are placed on the bolts first and the nylon insert nuts are to the inside of the handle. Tighten the bolts to collapse the upper handle tube against the small angle brackets.

UPPER WISHBONE ASSEMBLY

Parts Required: 2 – Nylon Rollers
 2 – Caster Rollers
 2 – 3/8" x 5 Carriage Bolts
 2 – 3/8" Nylon Insert Nuts
 8 – 10/24 x 1/2" Screws
 8 – 10/24 Nylon Insert Nuts

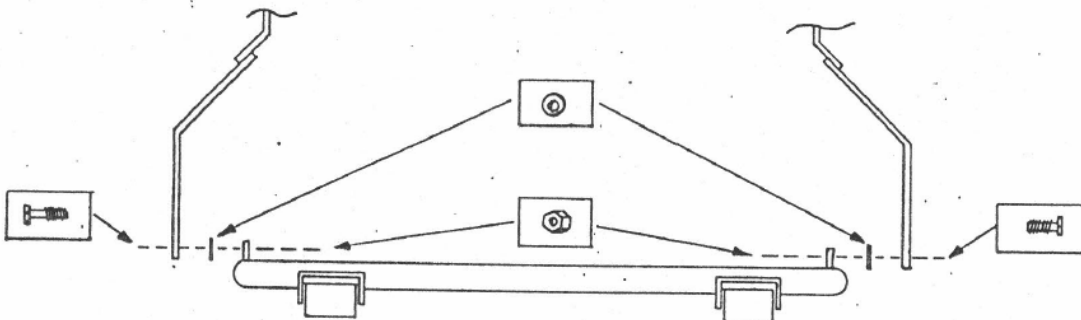


Install the nylon rollers using the 3/8" x 5" carriage bolts and nylon insert nuts. The bolts are inserted from the side with the square hole.

The casters are mounted using the #24 x 1/2" screws and nylon insert nuts. Note that the screws are inserted from the bottom of the assembly.

FINAL ASSEMBLY:

Parts Required: 2 – 5/16" x 1" Bolts
 2 – 5/16" Nylon Insert Nuts
 2 – 5/16" Flat Washers



The handle is then joined to the wishbone using the 5/16" x 1" bolts, flat washers and nylon insert nuts. The flat washer is inserted between the handle and wishbone mounting points. This is important to allow proper movement of the handle. The bolt and nut is tightened to the point where movement is still permitted.