

BANNERMAN

Pre Line Mower



Model No.: B-12-35B&S

Update: March 22, 2011
Part No.: MANUAL-00001



March 22, 2011

Dear Owner,

Welcome to Bannerman, the Home of Sports Turf Magic.

Your new B-12-35B&S is designed to meet your outfield line mowing requirements. The ease of operation and low maintenance will give you many trouble free hours of operation. Please make certain that you read and understand the important instructions for the assembly, adjustments, operations, safety and the maintenance contained in this manual. If there are any instructions which you do not fully understand, contact your dealer or Bannerman Ltd. for clarification prior to using the unit.

When in need of replacement parts, specify the model and serial number of your B-12-35B&S Pre Line Mower. The serial plate that identifies your model number and the serial number is located between the rear wheels on the bottom chassis. To give you many years of service, regular preventative maintenance is required. Should you require further assistance, please feel free to contact your local Bannerman dealer, or Bannerman directly at:

Bannerman Ltd.
41 Kelfield Street ~ Rexdale, ON M9W 5A3
Tel # 416-247-7875 ~ Fax # 416-247-6540
CDN 1-800-325-4871 ~ USA 1-800-665-2696
Email: info@sportsturfmagic.com
Website: www.sportsturfmagic.com

Work Safely – Follow these Rules!!

A careful operator is the best insurance against an accident!!

1. Do not wear loose fitting clothing that may catch in moving parts.
2. Use extreme care when making adjustments.
3. Always use proper tools or equipment for the job at hand.
4. Before and during operation the area should be checked to assure that the area is clear of obstacles, hazards and personnel.
5. Extreme caution should be exercised when operating close to ditches, fences or on hill sides.
6. Hands, feet, clothing and other objects must be kept away from all moving parts.
7. Always read the operating instructions carefully and understand the controls before commencing work.
8. Safety guards are supplied for your protection. Use them and make sure they are correctly in position.
9. Before starting work always visually check machines for damage or wear to working parts.
10. Do not allow any unauthorized person to handle machines in any way at anytime.

Warranty Statement

Bannerman Ltd. warrants all Bannerman B-12-35B&S Pre Line Mower that have been registered in our system. By receiving the Warranty Card & Declaration or Delivery Card completely filled out, via post, fax, or email within 15 days of Date of Sale for Registration, or Warranty is Null & Void. Some dealers or distributors may do this on behalf of their customers, but it is the responsibility of the end user to make sure that the Warranty Card has been filled out and submitted to Bannerman Ltd. Warranty Cards are included in the package with this booklet, and are also able to be filled in and printed off of our website: www.sportsturfmagic.com.

Bannerman B-12-35B&S Pre Line Mowers are covered by warranty when used properly, to be free from defects in material workmanship under normal use and service, for a period of 90 days. This warranty does not guarantee a particular service life of the product. Service life will vary with application, operating environment, level of maintenance and other factors beyond our control.

Bannerman's sole responsibility for the B-12-35B&S Pre Line Mower or parts determined to be defective and covered by this warranty, is limited to repairing, or replacing the product or part.

Prior authorization from Bannerman Ltd. must be obtained, before replacing or returning parts, or incurring any cost for labor. No charges for expense incurred in parts, labor or transportation, by unauthorized persons will be allowed under this warranty. Bannerman Ltd, reserves the right to request the return of any part or assembly (with transportation charges prepaid) claimed to be covered under this warranty.

Bannerman Ltd. shall not be liable, in event, for proximate, incidental, consequential, special or other damages, including, but not limited to, damages for loss of production, loss of profit, loss of opportunity, or injury to persons or property arising out of any breach of this warranty.

There are no warranties, expressed or implied, including the warranty of the merchantability, warranty, warranty of fitness for particular purpose, or any other warranty extending beyond that set forth above.

Operating Instructions

We want you to obtain the best performance from this implement. If you have any difficulty in carrying out the following instructions please contact us or your local representative or dealer.

Operating Principle;

To achieve that “finishing touch” to the outfields, and to reduce the paint or chalk volume necessary to paint lines or chalk lines due to the path of the pre line mower being lower than the regular height of cut, the grass on the line grows at a different height, therefore, lining may not need to be done as often.

Operating the Pre Line Mower

Before starting the engine, check the oil level in the engine, grease the wheel axles, and top up the engine with fuel.

Check for any loose nuts or bolts.

Check the height of cut – measure the distance from the blade tip to the floor (level surface). Always set height of cut using the hole pattern in the side frames. Set the height of cut 1/2” to 3/4” below the regular mowing height. Note: the front wheel must always be located 1 hole higher than the adjustment of the rear wheels; this allows the mower to be set approximately 5 degrees “downhill”.

Always cut with a sharp blade.

It may be necessary to cut in two directions to clear the area to be lined of clippings.

It may be necessary to use a string line or dotted paint line as a guide when cutting.

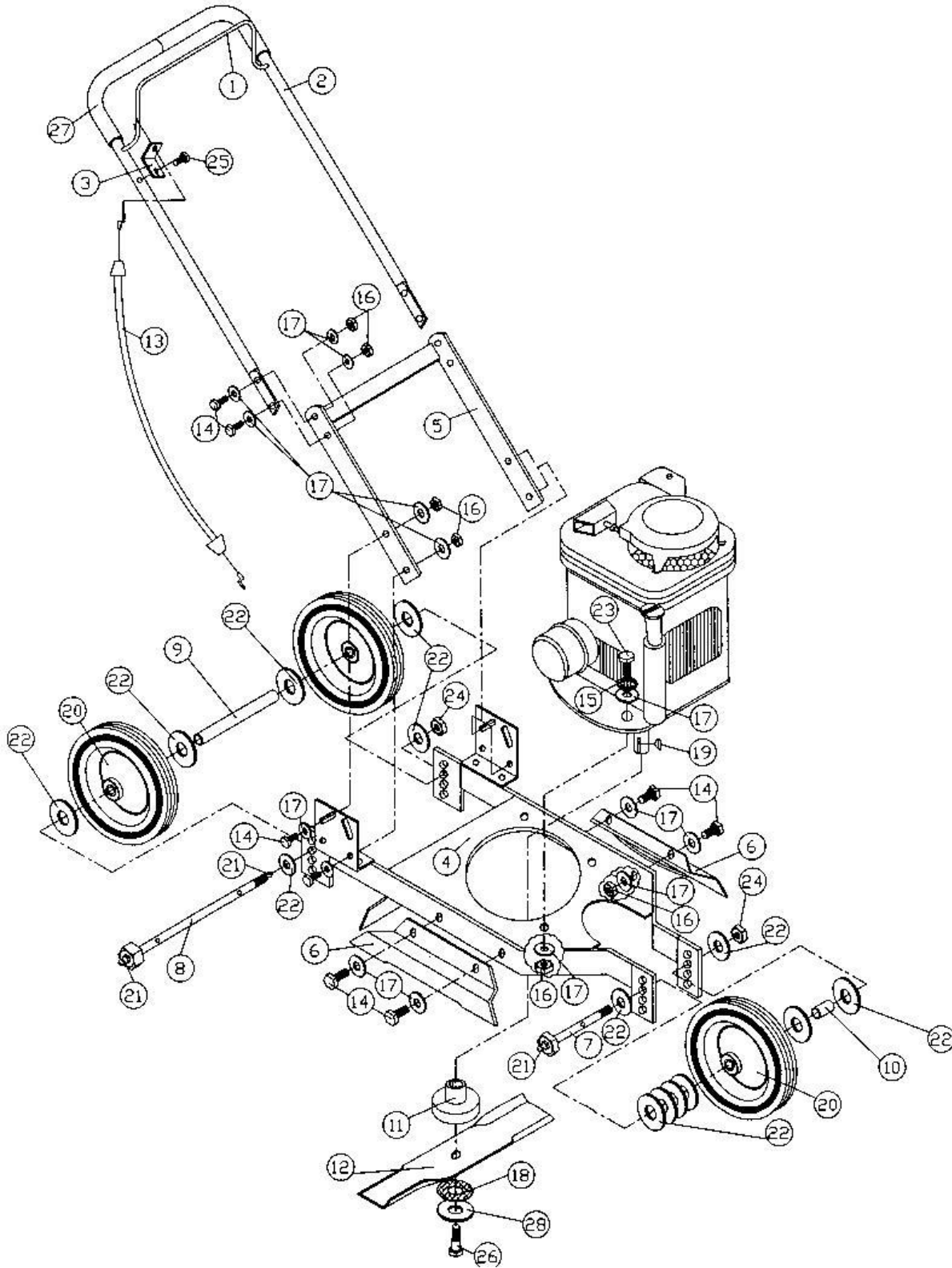
Maintenance

Before starting the engine, check the oil level in the engine, grease the wheel axles, and top up the engine with fuel.

Check for any loose nuts or bolts.

Bannerman Pre Line Mower

Model No.: B-13-35B&S
Year: 2011



Bannerman Pre Line Mower

Model No.: B-12-35B&S

Year: 2011

Item No.	Part Number	Description	Qty
1	01211	Operator Presence Bail Control	1
2	01221	Handle, Upper	1
3	01226	Bracket, Cable	1
4	01900	Frame, Main	1
5	01901	Handle, Lower	1
6	01903	Guard, Side	2
7	01904	Axle, Front	1
8	01905	Axle, Rear	1
9	01906	Spacer, Rear	1
10	01907	Spacer, Front	1
11	01909	Blade Hub	1
12	01910	Blade	1
13	01911	Cable	1
14	02002	Screw, HHC 5/16" -18 X 1"	10
15	02003	Washer, Lock 5/16"	1
16	02004	Nut, Nylon Insert 5/16" -18	10
17	02005	Washer, SAE 5/16"	20
18	02009	Washer, Fiber	1
19	02016	Key, Woodruff #6	1
20	02027	Wheel	3
21	02030	Grease Fitting, Straight 1/4" -28	3
22	03032	Washer, SAE 1/2"	14
23	03057	Screw, HHC 5/16" -18 X 1-1/2"	1
24	11251	Nut, Nylon Insert 1/2" -20	2
25	11232	Screw, Self Tapping 10 -16	1
26		Screw, HHC 3/8" -24 X 2"	1
27	02082	Grip, Upper Handle	2
28	02010	Washer, Steel Compression	1