

BANNERMAN



- **Assembly**
- **Setup & Operating Procedure**
- **Maintenance**
- **Warranty**
- **Parts Break Down**

Assembly

Most of the unit is assembled from the factory with the exception of the upper handle. To install the handle please follow the steps below and also refer to the parts diagram on page 3 for clarification.

1. Remove the plastic wrap which covers the top portion of the hopper.
2. On the lower handle remove the nuts, bolts and washers.
3. Remove the upper handle from its plastic wrap.
4. Line the (lower) holes on the upper handle with the (lower) holes on the lower handle and be sure that the upper handle is to the outside of the lower handle.
5. Insert the bolts (washer under the head) along with the nuts (washer under the nut) on each end, but do not tighten.

At this point, note the slot on the top of the lower handle. This allows the handle to be adjusted for various operators' height.

6. Insert the next set of bolts and nuts, but do not tighten.
7. Raise/lower the handle until a comfortable position is achieved and then tighten the top set of bolts. The help of another person may be required.
8. Last, tighten the lower holes and proceed to Setup & Operating Procedure.

Setup & Operating Procedure

All Mini Toppers are setup, from the factory, in a default position. Do not use the Mini Topper straight from the box without following the proper setup instructions below. The best place to perform this procedure is on either hard or paved surfaces.

1. Place the material intended to be used in the hopper until the level just passes the bolts which mount the front and rear brushes (about 4-5 inches off the drum).
2. Push the Mini Topper forward for about 10-20 feet or until the material runs out.
3. Measure the thickness of the material.

A general rule of thumb for top dressing is to apply approximately $\frac{1}{4}$ " thickness of material.

At this point, if the material is too difficult to spread or does not spread well, the moisture content is too high. To lower the moisture content spread the material out on a tarp and repeat steps 1-3 the next day. To quickly reduce the moisture content, mix the material with sand. Start off with sand to material ratio of 1:4 (25%) and increase from there if this is not sufficient.

Setup & Operating Procedure Continued...

4. If the material spreads well but is not the desired thickness, adjust the **front** brush accordingly (raise the brush for more material, lower the brush for less)
5. Repeat steps 1-3, until the desired thickness is achieved. Once achieved, fill the hopper up and top dress away!

Maintenance

As with any other product or machine, maintenance is a key measure that must be taken in order to endure its longevity. With this in mind the Mini Topper should be cleaned, thoroughly, after each use. Once cleaned, the bearings on both the drum and rear wheel should be greased. This will keep the Mini Topper in top condition for years to come

Warranty

Bannerman Ltd warrants all **B-MTD-2012 Mini Toppers** when applied and installed, to be free from defects in material and workmanship under normal use and service for a period of 90 days from date of use. This warranty does not guarantee a particular service life of the products. Service life will vary with application, operating environment, level of maintenance and other factors beyond our control.

Bannerman Ltd's sole responsibilities for the **B-MTD-2012 Mini Topper** or parts determined to be defective and covered by this warranty is limited to repairing the product or part.

An allowance is to be applied to the labour cost for removal and replacement.

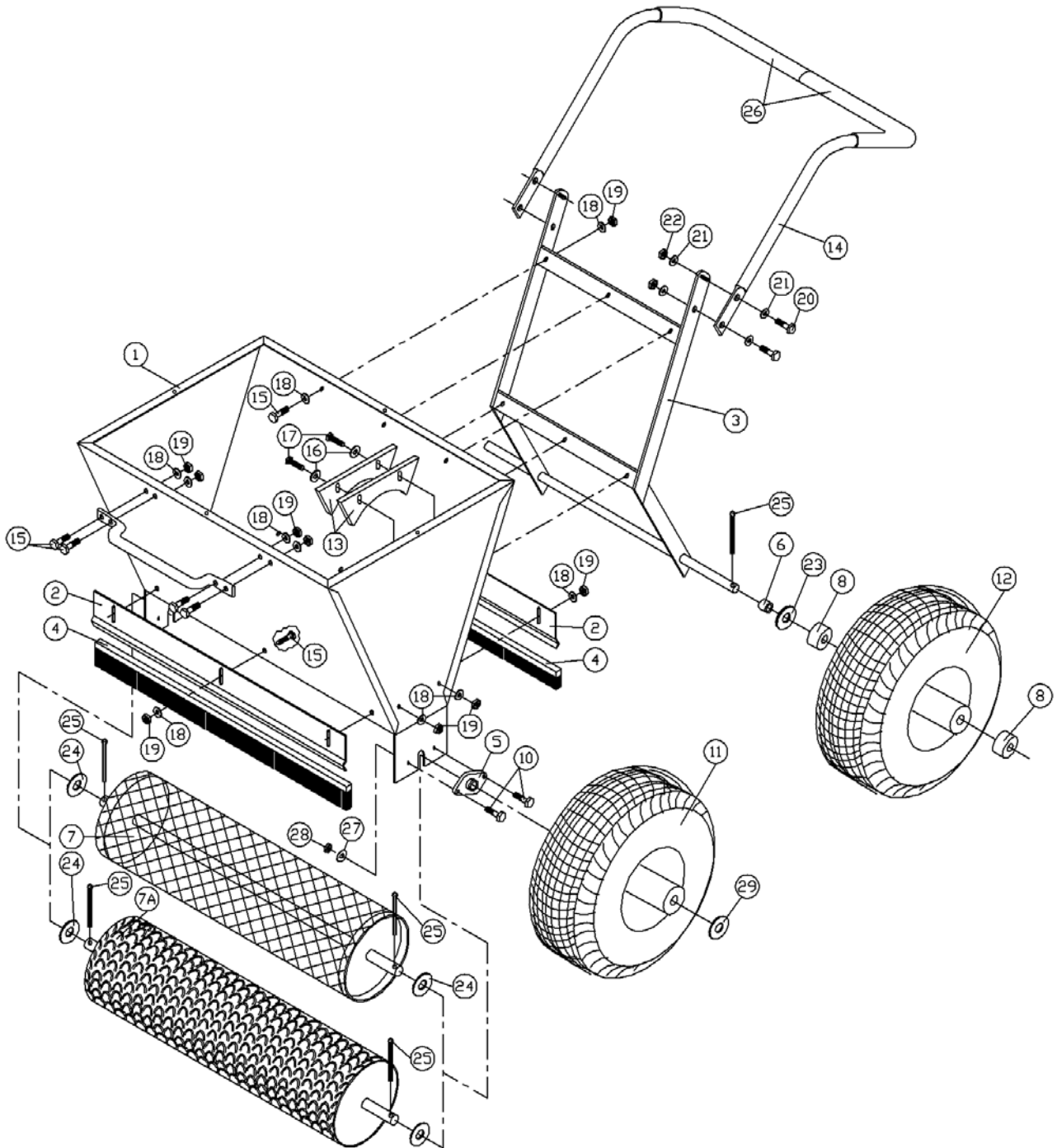
Prior authorization from **Bannerman Ltd** must be obtained before replacing or returning any part(s), or incurring any cost of labour. No charges for expense incurred in parts, labour or transportation by unauthorized persons will be allowed under this warranty. **Bannerman Ltd** reserves the right of any part or Bannerman assembly (with transportation charges prepaid) claimed to be covered under this warranty.

Bannerman Ltd shall not be liable, in event, for proximate, incidental, consequential, special or other damages. This includes, but is not limited to, damages for loss of production, loss of profit, loss of opportunity, or injury to persons arising out of any breach in this warranty.

THERE ARE NO WARRANTIES, EXPRESSED OR IMPLIED, INCLUDING THE WARRANTY OF MERCHANTABILITY, WARRANTY OF FITNESS FOR PARTICULAR PURPOSE, OR ANY OTHER WARRANTY EXTENDING BEYOND THAT SET FORTH ABOVE

Bannerman Mini Topper –Parts Diagram

Model No.: B-MTD-2012/SD

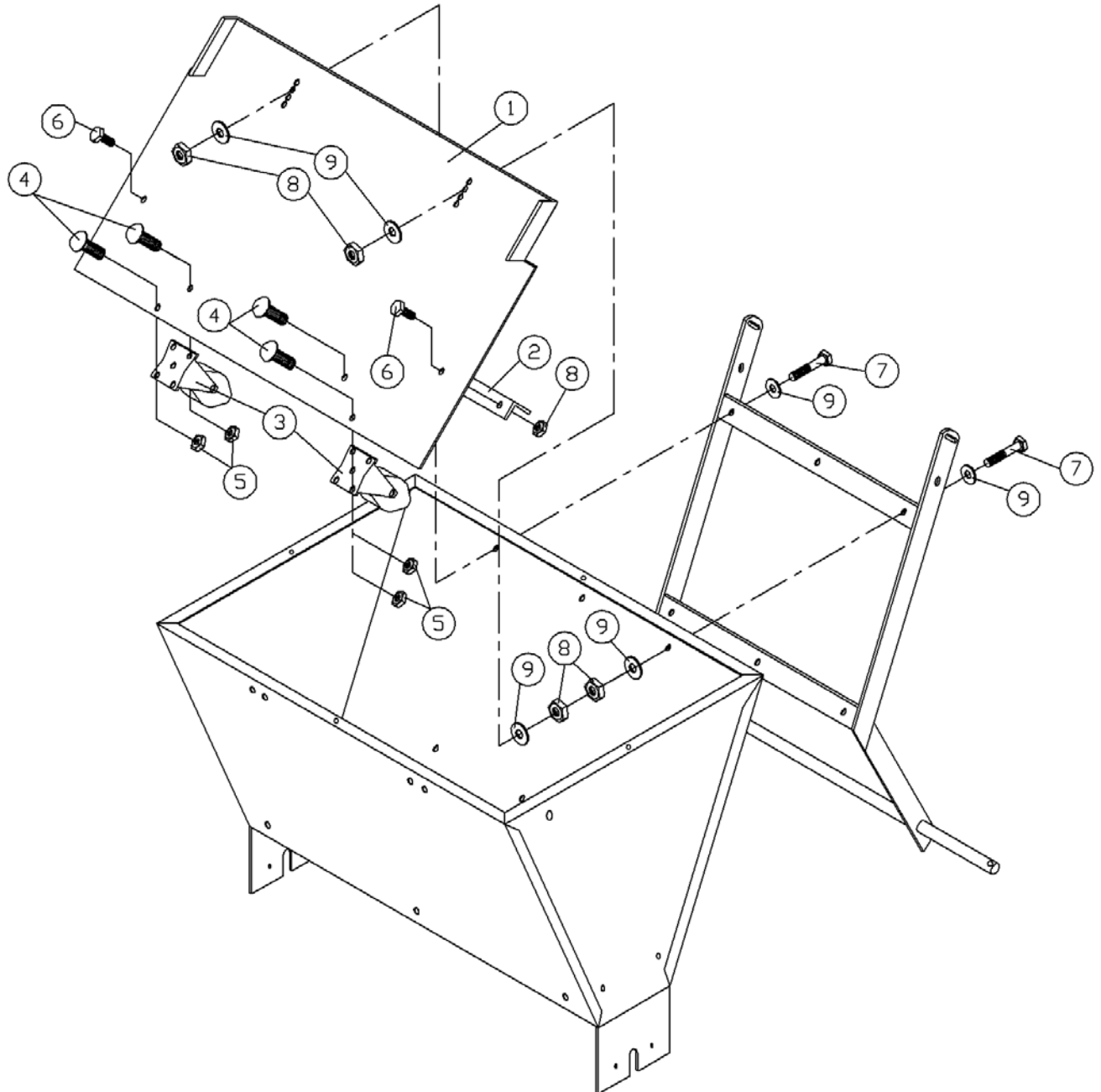


Bannerman Mini Topper –Parts List

Item #	Part No.	Part Description	Qty.
1	00801	Hopper	1
2	00802	Holder - Brush	2
3	00805	Handle - Lower	1
4	00808	Brush	2
5	00810	Bearing	2
6	00811	Spacer - Axle	2
7	00824	Drum - Spreader	1
7A	00843	Drum - Solid Sand	1
8	02026	½ Wheel Bearing	4
9	00822	Decal - Mini Topper (not shown)	1
10	03026	Bolt – ¾"-16 X 1½" HHC	4
11	00816	Wheel - Drive	2
12	08065	Wheel	2
13	00841	Skirt - Rubber (Sand Drum - only)	4
14	04049	Handle - Upper	1
15	03013	Bolt - ¼"-20 X ¾" HHC	16
16		Washer - ¼" Flat USS (Sand Drum - only)	4
17	02032	Bolt - ¼"-20 X 1¼" HHC (Sand Drum - only)	4
18	03007	Washer - ¼" Flat SAE	30
19	02066	Nut - Nylon Insert ¼"-20	24
20	02002	Bolt - 5/16"-18 X 1" HHC	4
21	02005	Washer - 5/16" Flat SAE	8
22	02004	Nut - Nylon Insert 5/16"-18	4
23	03032	Washer - ½" Flat SAE	2
24	08034	Washer - ¾" Shim SAE	6
25	11279	Pin - Cotter 1/8 X 1	6
26	02082	Grip - Upper Handle	2
27	02024	Washer - 3/8" Flat SAE	1
28	03022	Nut - Nylon Insert 3/8"-16	4
29	06037	Washer - ¾" Flat SAE	2
30	02072	Decal - Made in Canada (not shown)	1

Optional Equipment – Baffle Kit

Model No.: B-MTD-KIT



Baffle Kit – Parts List

Item #	Part No.	Part Description	Qty.
1	00830	Baffle Plate	1
2	00833	Baffle Angle	1
3	00834	MTD Casters	2
4	11230	Bolt, 10-24 X ½" Round Head Machine	4
5	02048	Nut, Nylon Insert 10-24	4
6	02054	Bolt, ¼"-20 X ¾" HHC	2
7	08077	Bolt, ¼"-20 X 1¾" HHC	2
8	02066	Nut, Nylon Insert ¼"-20	8
9	03007	Washer - ¼" Flat	8

Baffle Kit - Installation

1. Remove ¼"-20 X ¾" bolts (Reference #15 in the Parts Diagram on page 3) which go through the lower handle and the hopper. Only the **top corner (2)** bolts need to be removed.
2. Replace them with ¼"-20 X 1¾" bolts, ¼" flat washers under the bolt head and ¼" nuts tightened down, all the way.
3. Install a second set of ¼" nuts, in the reverse orientation (nylon side first) over the 1¾" bolts. Run them up the bolt until they are about 1/8" from the lip of the hopper. Then, install 1 washer. There should be about a 1/8" gap between the hopper and baffle plate, if not re-adjust.
4. Install the last set of washers and nuts over the baffle plate. **Do not** fully tighten. The nut should be tightened, but loose enough so that washer underneath is able to spin without any resistance.

Setup & Procedure Notes



A Division of Gordon Bannerman Limited

“The Home of Sportsturf Magic”

Scan the QR code below to visit our website



Or visit www.sportsturfmagic.com

Questions, Customer Support or General Inquiries, please email info@sportsturfmagic.com

GORDON BANNERMAN LIMITED
41 Kelfield Street, Rexdale, ON M9W 5A3 Canada
T: (416) 247-7875 F: (416) 247-6540
Toll Free CDN: 1-800-325-4871, USA: 1-800-665-2696