

BaNNerman



B-MG-6 Master Groomer

- **Setup & Operating Procedure**
- **Maintenance**
- **Warranty**
- **Parts Break Down**

Setup & Operating Procedure

Before operating the Master Groomer it must be setup to groom synthetic turf fields in the manner it was intended. The Master Groomer is **not** setup directly from the factory; **do not** use it unless the steps below have been followed. Using the groomer directly after reaching its final destination, without set up, will display poor results and not perform in the manner it was intended to. It has been setup this way for shipping purposes only (transport mode).

Listed below are the steps one should follow in order to setup the groomer to the default position. From there, it may be adjusted based on operator's preference.

Default position

- I. With the tow bar attached to the vehicle towing the Master Groomer, move the groomer on to the field/turf.
- II. Adjust the front brush so that there are 3 1/2 dimples showing on the Screw Jack
- III. Adjust the "W" brush (second tool from the front), along with the rear brush, with 3 dimples showing on the screw jack
- IV. Start the vehicle that is towing the Master Groomer and pull it forward to test the grooming pattern. What to look out for is an even spread and covering of the infill throughout the 6 feet width. Along with this, check to see if the turf fibres are stood upright, thus creating a grain pattern.

At this time any adjustments that need to be made should be done now. Adjustments should be done in 1 or 2 turn intervals. Adjusting may also be done to the nearest dimple, if turns are insufficient. Once satisfied with the setup, groom away! Be sure to groom in opposite directions along the length of the field. Doing so will display an opposing grain pattern throughout the course of the field.

Prior to leaving the field, raise all three tools to their highest positions. This is the **transport mode**. The wheels will always stay the same for both transport mode and default mode. Move the Master Groomer off the field on to a hard surface, where cleaning of the machine or tools of excess infill can be done.

Helpful tips

- Minor adjustments may be required after each use
- **A recommended speed of operations is 3-5 MPH (5-8 KPH)**
- Avoid a "hop" action when grooming
- Reverse brush sections once or twice a year to correct the bristle bending action (this will extend the life of the brushes)

Maintenance

The following maintenance requirements should be performed **before** each use of the Master Groomer.

- Grease the tow pins prior to attaching the groomer to the tractor (allows for easy attaching/detaching)
- Grease the screw jacks via the grease fittings located on the top and side of the screw jacks (there are **2** fittings per screw jack)
- Grease the wheel bearings via the grease fitting located on the back of wheel hub

Please view the parts break down if you are unsure of the locations for the grease fittings listed

Warranty

Bannerman Ltd warrants all **B-MG-6 Master Groomers** when applied and installed, to be free from defects in material and workmanship under normal use and service for a period of 90 days from date of use. This warranty does not guarantee a particular service life of the products. Service life will vary with application, operating environment, level of maintenance and other factors beyond our control.

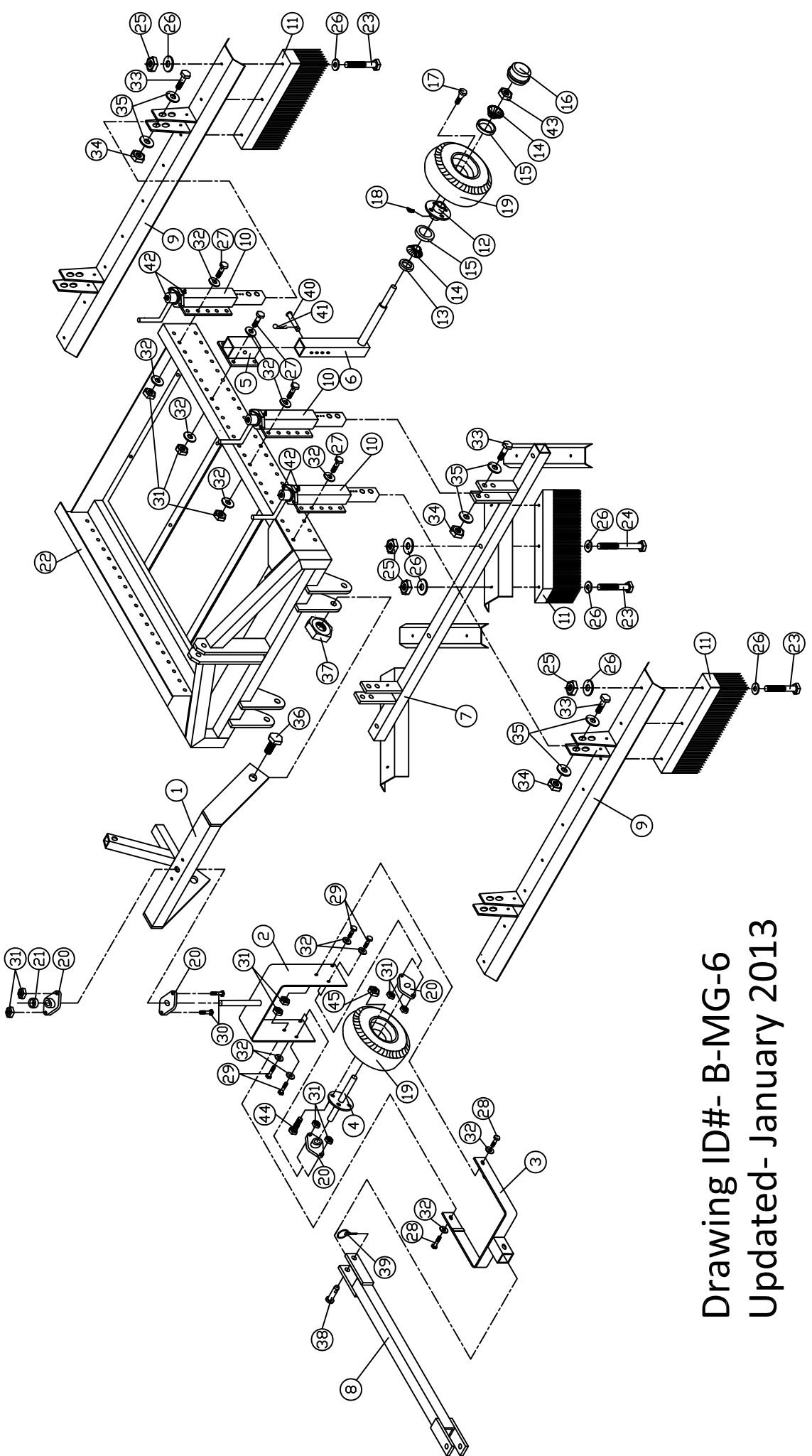
Bannerman Ltd's sole responsibilities for the **B-MG-6 Master Groomer** or parts determined to be defective and covered by this warranty is limited to repairing the product or part.

****An allowance is to be applied to the labour cost for removal and replacement.****

Prior authorization from **Bannerman Ltd** must be obtained before replacing or returning any part(s), or incurring any cost of labour. No charges for expense incurred in parts, labour or transportation by unauthorized persons will be allowed under this warranty. **Bannerman Ltd** reserves the right of any part or Bannerman assembly (with transportation charges prepaid) claimed to be covered under this warranty.

Bannerman Ltd shall not be liable, in event, for proximate, incidental, consequential, special or other damages. This includes, but is not limited to, damages for loss of production, loss of profit, loss of opportunity, or injury to persons arising out of any breach in this warranty.

THERE ARE NO WARRANTIES, EXPRESSED OR IMPLIED, INCLUDING THE WARRANTY OF MERCHANTABILITY, WARRANTY OF FITNESS FOR PARTICULAR PURPOSE, OR ANY OTHER WARRANTY EXTENDING BEYOND THAT SET FORTH ABOVE



Drawing ID#- B-MG-6
Updated- January 2013

Master Groomer Parts Description

No.	Part No.	Part Description	Qty.
1	15700	Wheel Mounting Bracket	1
2	15701	Front Wheel Yoke	1
3	15702	Steering Yoke	1
4	15703	Front Axle	1
5	15704	Rear Adjusting Pocket Assembly	2
6	15705	Rear Adjusting Axle Assembly	2
7	15706	Zig-Zag ("W") Brush Frame	1
8	15707	Tongue	1
9	15108	Straight Brush Frame	2
10	15103	Screw Jack Assembly (10 Hole Plate)	6
11	15030	Main Brush (24")	10
12	08154	4 Bolt Rear Wheel Hub	2
13	08159	Rear Wheel Hub Seal	2
14	08156	Rear Wheel Hub Cone Bearing	4
15	08155	Rear Wheel Hub Cup	4
16	08157	Rear Wheel Hub Cap	2
17	08129	Rear Wheel Hub Stud	8
18	11293	Grease Fitting (Rear Wheel Hub) 45°	2
19	R10525	Wheel & Tire Assembly	3
20	15710	1" Flange Bearing	4
21	15711	1" Set Collar	1
22	15100	Main Frame	1
23	11211	$\frac{3}{8}$ " -16x3" HHC Bolt	26
24	00908	$\frac{3}{8}$ " -16x5" HHC Bolt	4
25	03022	$\frac{3}{8}$ " -16 Nylon Insert Nut	30

No.	Part No.	Part Description	Qty.
26	02024	$\frac{3}{8}$ " SAE Flat Washer	60
27	15113	$\frac{1}{2}$ " -13x1 $\frac{1}{4}$ " HHC Bolt	32
28	11218	$\frac{1}{2}$ " -13x1 $\frac{1}{2}$ " HHC Bolt	2
29	03020	$\frac{1}{2}$ " -13x1 $\frac{3}{4}$ " HHC Bolt	4
30	11220	$\frac{1}{2}$ " -13x4" HHC Bolt	2
31	11225	$\frac{1}{2}$ " -13 Nylon Insert Nut	40
32	03032	$\frac{1}{2}$ " SAE Flat Washer	40
33	15111	$\frac{5}{8}$ " -11x3" HHC Bolt	12
34	04038	$\frac{5}{8}$ " -11 Nylon Insert Nut	12
35	04037	$\frac{5}{8}$ " SAE Flat Washer	12
36	15041	$\frac{3}{4}$ " -10x2" HHC Bolt	2
37	14012	$\frac{3}{4}$ " -10 Nylon Insert Nut	2
38	08152	Short Clevis Pin ($\frac{3}{4}$ ")	2
39	15045	Lynch Pin	8
40	08535	Clevis Pin ($\frac{1}{2}$ ")	2
41	08174	Hitch Pin	2
42	02030	Grease Fitting (Screw Jack Assembly)	12
43	15413	Castle Nut	2
44	15712	Front Axle Wheel Hub Stud	4
45	15713	Front Axle Cone Nut	4



A Division of Gordon Bannerman Limited

"The Home of Sportsturf Magic"

Scan the QR code below to visit our website



Or visit www.sportsturfmagic.com

Questions, Customer Support or General Inquiries, please email info@sportsturfmagic.com

GORDON BANNERMAN LIMITED
41 Kelfield Street, Rexdale, ON M9W 5A3 Canada
T: (416) 247-7875 F: (416) 247-6540
Toll Free CDN: 1-800-325-4871, USA: 1-800-665-2696