

BANNERMAN

BW4700-Y

Commercial Line Trimmer

2006

Operation & Parts Manual

Read the following
instructions before
use.

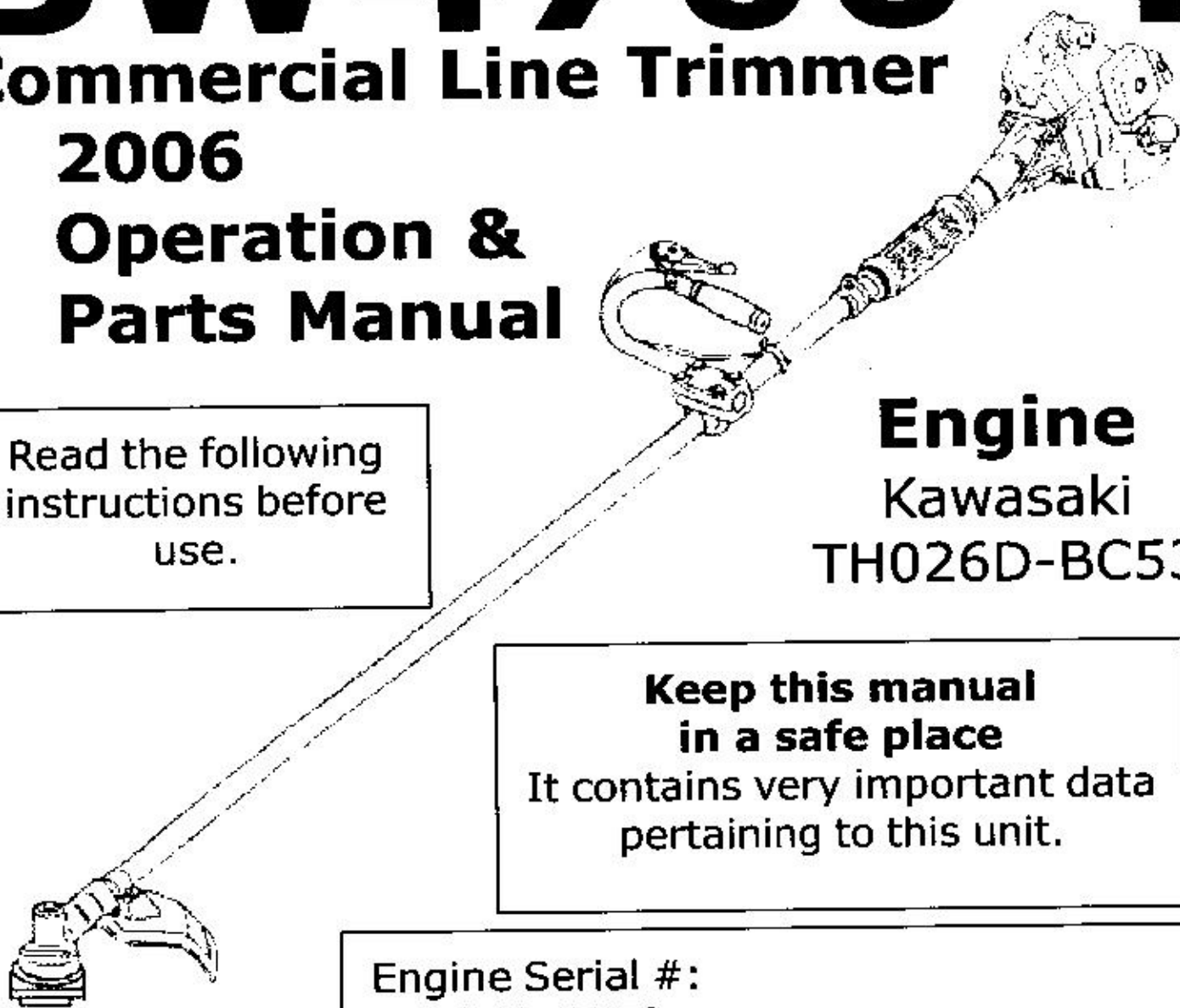
Engine
Kawasaki
TH026D-BC53

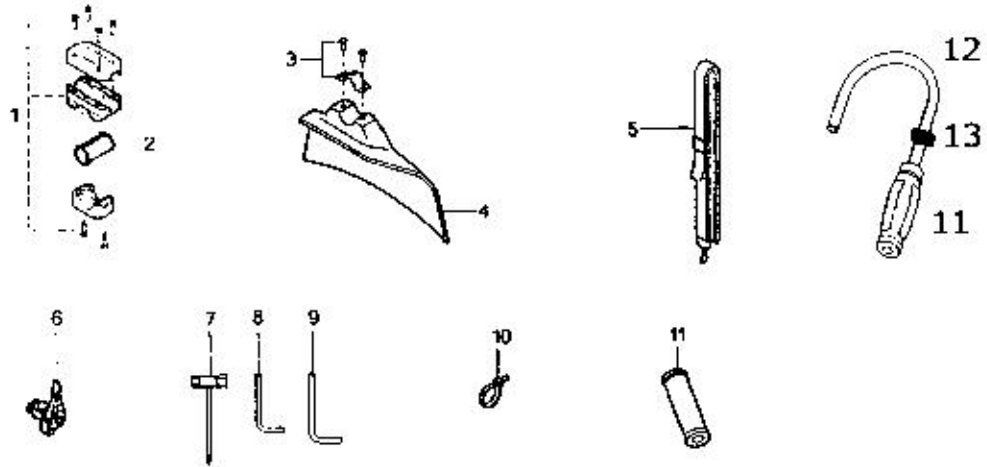
**Keep this manual
in a safe place**
It contains very important data
pertaining to this unit.

Engine Serial #:

TH026D-BC53 _____

Shaft Serial #: _____



BW4700-Y Commercial Line Trimmer 2006**Handle & Fittings****BW4700-Y Commercial Line Trimmer 2006****Handle & Fittings**

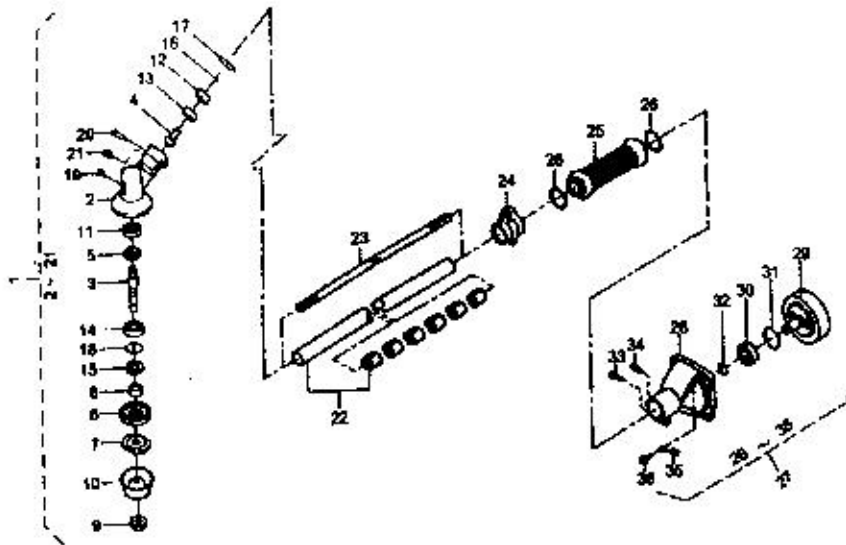
Ref	Part No.	Part Description	Qty.
1	71001-153	Handle Joint Assembly	1
2	61023-192	Handle Joint Assembly - Sleeve	1
3	71038-171	Safety Guard Band Set	1
4	36046-141	Safety Guard	1
5	36063-185	Shoulder Strap	1
6	91010-155	Throttle Lever	1
7	66006-117	Box Spanner	1
8	66007-103	L Wrench	1
9	66007-104	L Wrench	1
10	68028-103	Wire Band	1
11	36007-129	Hook Handle - Rubber Grip	1
12		Hook Handle (Not Shown)	1
13		Rubber Grommet - Hook Handle	1

BW4700-Y Commercial Line Trimmer 2006**Gear Case & Driving Apparatus**

Ref	Part No.	Part Description	Qty.
14	0919B6201	Bearing - 6201 OPC3	1
15	61002-128	Oil Seal TC 17X32X8	1
16	0812V1000	C-Snap Ring 10	1
17	0811V2600	C-Snap Ring 26	1
18	0811V3200	C-Snap Ring 32	1
19	0322N0810	Bolt, Hex 8mm X 10mm	1
20	0412N0620	Socket Screw 6mm X 20mm	1
21	0413N0515	Socket Screw 5mm X 15mm w/sw	1
22	71130-189	Main Pipe w/ bushings	1
23	64011-250	Drive Shaft	1
24	71012-137	Hanger Band Assembly	1
25	36001-110	Main Grip	1
26	68013-136	Spring	2
27	71010-263	Clutch Case Assembly - Complete	1
28	51030-193	Clutch Case	1
29	11014-205	Clutch Drum	1
30	0912B6001	Bearing - 6001 ZZ	1
31	0811V2800	C-Snap Ring 35	1
32	0812V1200	C-Snap Ring 15	1
33	0412N0525	Socket Screw 5mm X 25mm	1
34	0413N0515	Socket Screw 5mm X 15mm w/sw	1
35	51104-143	Guide	1
36	0416N0620	Socket Screw 6mm X 20mm	4

BW4700-Y Commercial Line Trimmer 2006

Gear Case & Driving Apparatus



BW4700-Y Commercial Line Trimmer 2006

Gear Case & Driving Apparatus

Ref	Part No.	Part Description	Qty.
1	71008-320	Gear Case Assembly	1
2	51001-267	Gear Case	1
3	64001-144	Spline Shaft	1
4	78002-174	Bevel Pinion	1
5	78001-150	Bevel Gear	1
6	1101-150	Holder A	1
7	11002-126	Holder B	1
8	61001-119	Spine Sleeve	1
9	31001-106	Saw Lock Nut 10mm	1
10	11027-119	Stabilizer	1
11	0913B0629	Bearing - 629 OP	1
12	0912B6000	Bearing - 6000 ZZ	1
13	0913B6000	Bearing - 6000 OP	1