

# Bannerman Line Trimmer

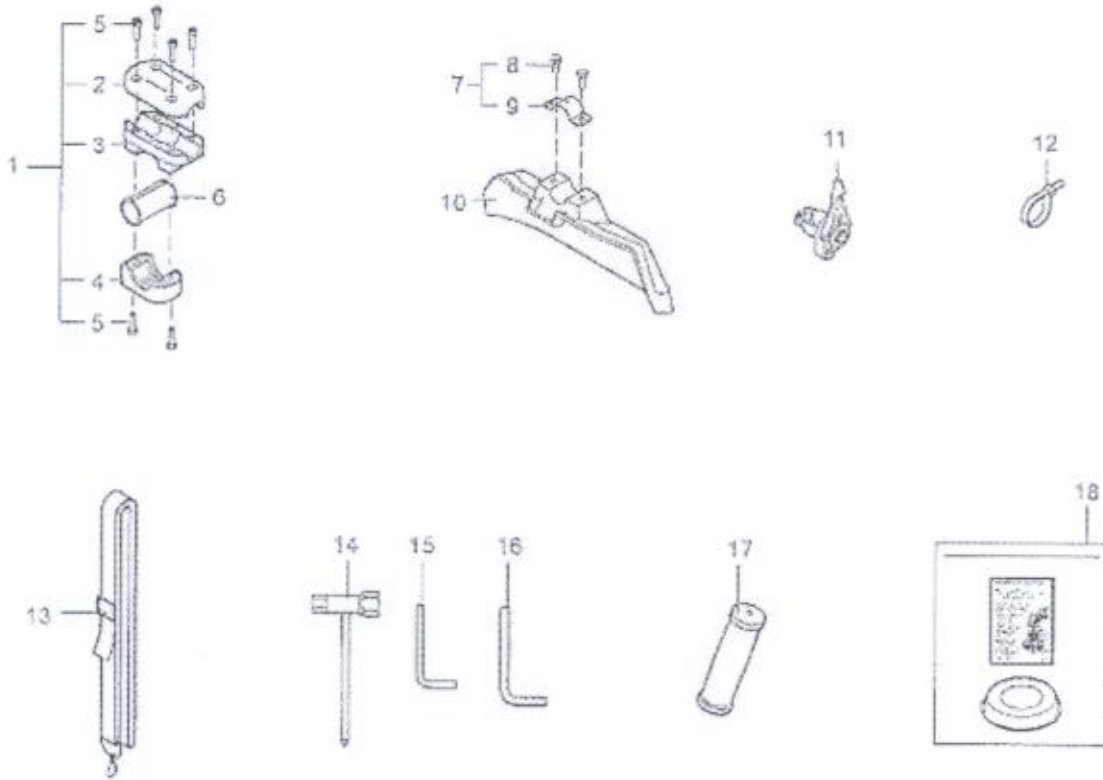
**BW2010-K & BW2010-H  
Operation & Parts Manual**



March 3, 2010

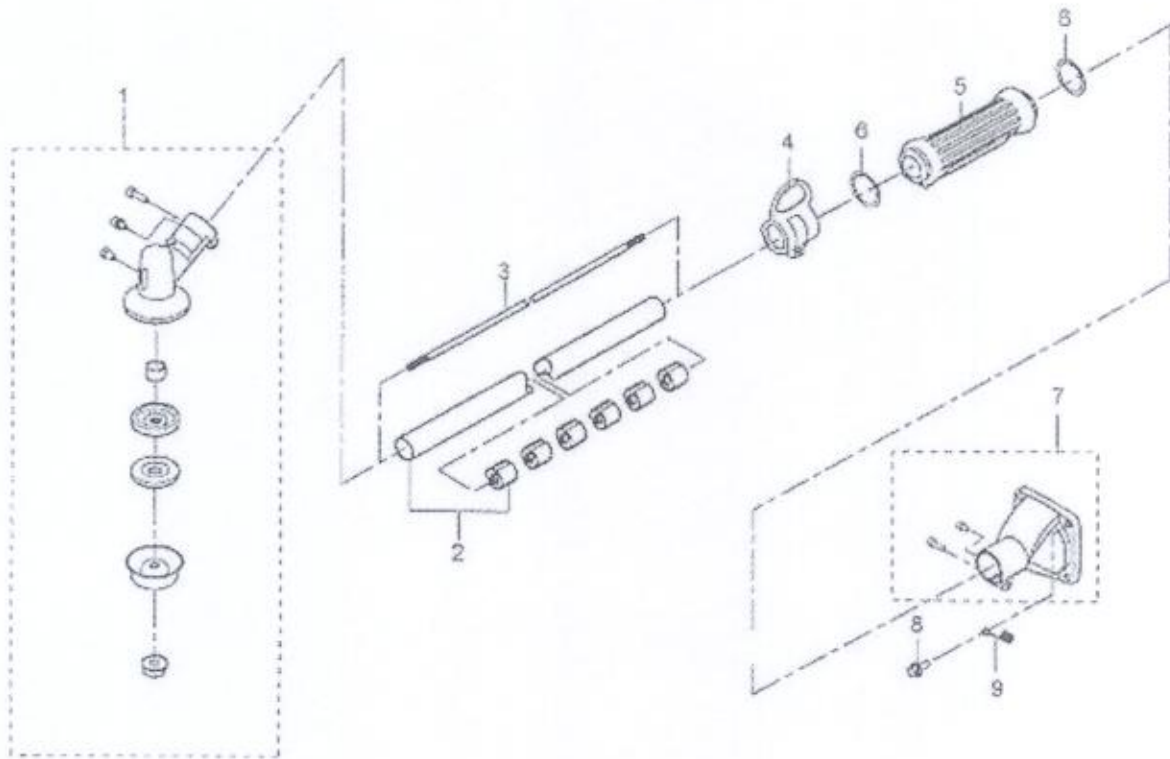
**Read the following instructions before use.**

## BW-2010 Handle & Fitting



Reference No.	Part No.	Description	Qty.
1	N71011-153	Handle Joint Assembly	1
2	N51009-143	Handle Joint A	1
3	N51010-146	Handle Joint B	1
4	N51013-122	Handle Joint C	1
5	N0412N0615	Socket Screw (6mm X 25mm)	6
6	N61023-192	Sleeve	1
7	N71038-171	Guard Band Set	1
8	N0412N0515	Socket Screw (6mm X 15mm)	2
9	N11029-107	Guard Band	1
10	N36046-164	Safety Guard	1
11	N91010-155	Throttle Lever	1
12	N68028-103	Wire Band	1
13	N36063-185	Shoulder Band	1
14	N66006-117	Box Spanner	1
15	N66007-103	"L" Wrench (4mm)	1
16	N66007-104	"L" Wrench (5mm)	1
17	N36007-129	Handle Grip	1
18	N71001-124	Grass Cover Set	1

## BW-2010 Gear Case & Driving Apparatus



Reference No.	Part No.	Description	Qty.
1	N71008-320	Gear Case Assembly	1
2	N17730-189	Main Pipe	1
3	N64011-250	Main Shaft	1
4	N71012-145	Hanger Band Assembly	1
5	N36001-110	Main Grip	1
6	N68013-136	Spring	2
7	N71010-263	Clutch Case Assembly	1
8	N0416N0620	Socket Screw (6mm X 20mm W/SW/PW)	4
9	N51104-143	Guide	1

### Throttle Cables

KAWASAKI TJ027E-AC56E	N54012-2207
HONDA GX25NT (GCART-1128607)	N91001-273