

Equipment for professional turf management



Division of Gordon Bannerman Limited

41 Kelfield Street, Rexdale, Ontario, Canada M9W 5A3

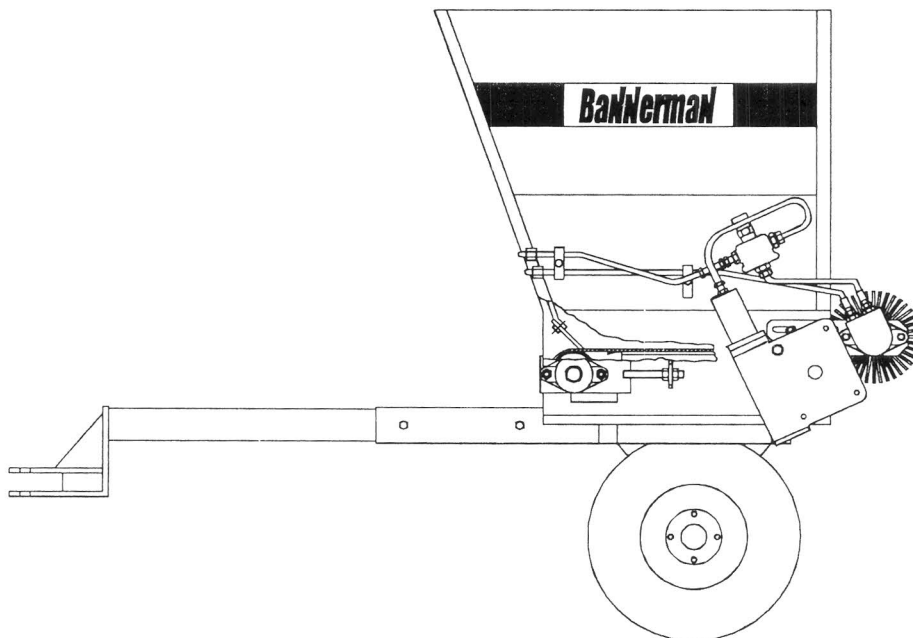
Telephone 416-247-7875

Fax 416-247-6540

Operating Instructions

Topdresser

"SPORT TOPPER BTD-10"



"The home of Sportsturf Magic"

TABLE OF CONTENTS

Contents	Page
Safety regulations.....	3
Short description.....	5
Technical data.....	5
Initial Operating	6
Operation.....	6
* Before operating each time.....	6
* Connecting to vehicle.....	7
* Loading.....	7
* Spreading	8
Repair and maintenance	9
* Lubricate spreader (every 50 operating hours)	9
* Oil change for conveyor belt gears (every 2 years)	10
* Axle maintenance (every 100 operating hours)	10
* Adjust distance between the brush rolls	11
(according to requirements)	
* Adjusting conveyor belt (in case of slipping)	11
* Installing and removing the conveyor belt	12
* Adjusting conveyor belt after assembly	13
* Lighting set [#]	13
* External hydraulic unit [#]	14
Spare part list	Appendix

Technical alterations reserved.

Parts marked with [#] are only available as additional equipment.

