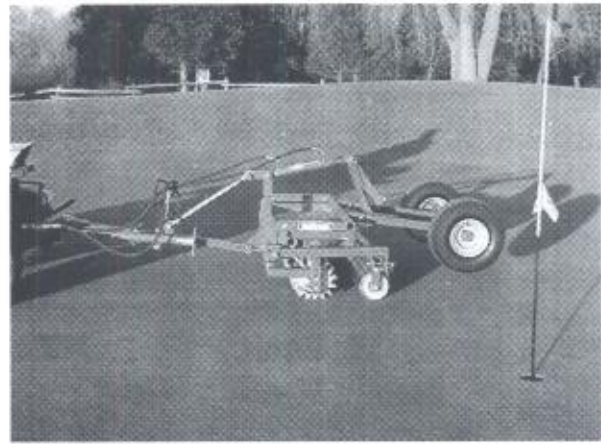


# **BANNERMAN**

## **BA-400**

# **Multi-Ject Aerator**



# **Operation & Parts Manual**

Updated:

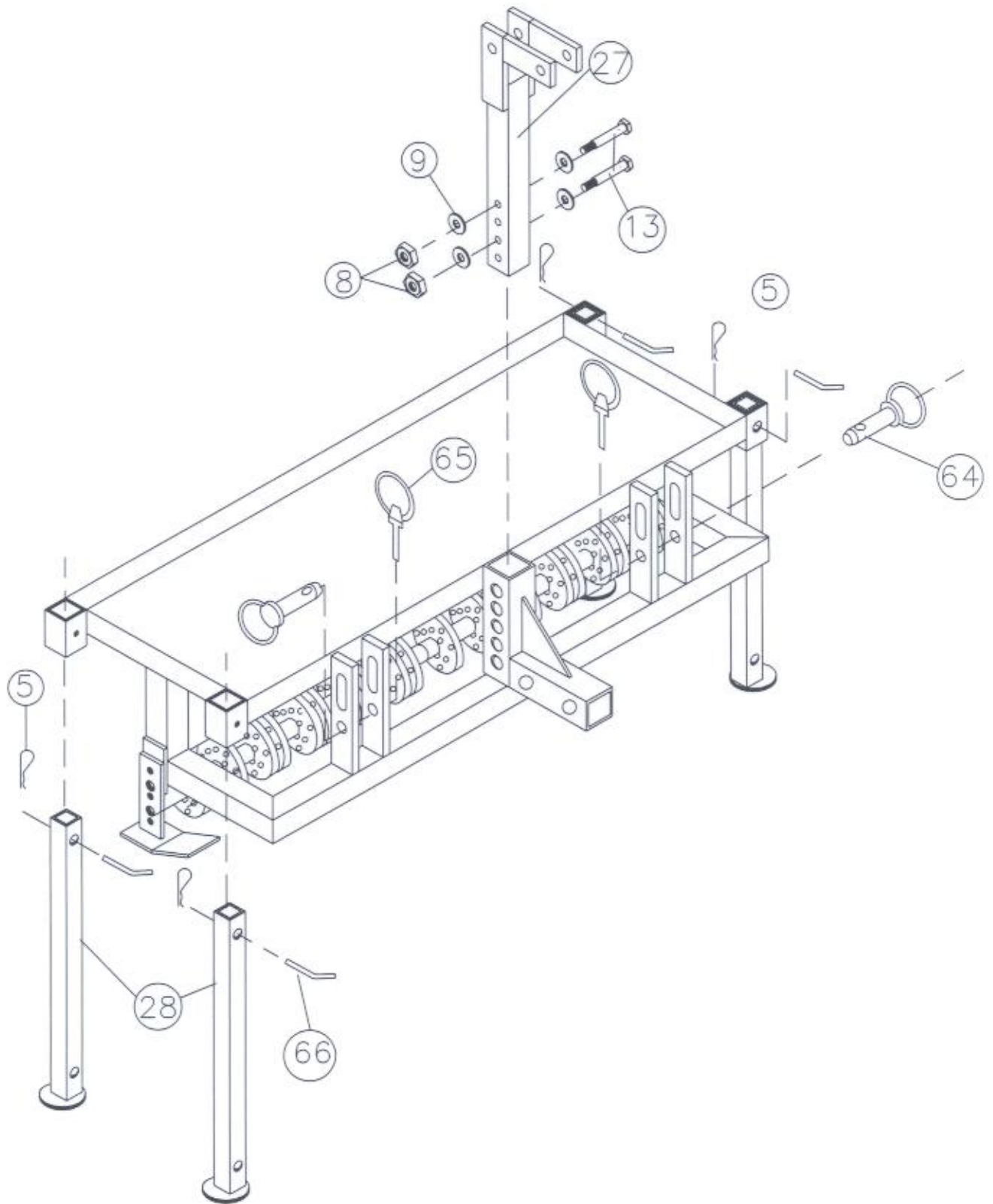
APR 07 2010

## **BA-400 CT/SS/ST/RK/TA/3PT**

Item No.	Part No.	Part Description	Qty.
1	02004	Nut, Nylon Insert 5/16"-18	2
2	02005	Washer, 3/8" Lock	4
3	02024	Washer, 3/8" Flat SAE	4
4	02026	Bearing, Heavy Duty 1/2"	4
5	02060	Pin - Hitch	3
6	03016	Bolt, 3/8"-16X1" HHC	102
7	03022	Nut, Nylon Insert 3/8"-16	4
8	03024	Nut, Nylon Insert 1/2"-13	4
9	03032	Washer, 1/2 Flat SAE	164
10	03049	Washer, 3/8" Lock	4
11	03057	Bolt, 5/16"-18 X 1.5"HHC	5
12	03083	Bolt, 3/8"-16 X 1.25" HHC	2
13	04017	Bolt 1/2"-13 X 3.5"HHC	2
14	08055	Bushing, Brass Tine Assembly	4
15	08065	Wheel & Tire Assembly	2
16	08067	Slitter Slicer Tine	50
17	08085	Saddles	100
18	08086	"U" Bolt 3/8"	50
19	08087	Nut, Stover 3/8"	100
20	08094	Disc, Slitter/Slicer(Pair)	10
21	08101	Main Frame	1
22	08102	Tow Tongue	1
23	08103	Shaft - Tine	1
24	08104	Shoe - Skid	2
25	08106	Axle - Wheel	2
26	08107	Fork - Wheel	2
27	08108	Mast - 3 point Hitch	1
28	08109	Stands	4
29	08111	Tine Reel Assembly, FT (Bolt-On)	2
30	08115	Coring Tine 3/4"	50
31	08130	Tine Reel Assembly, CT & SS	2
32	08150	Frame - Mounting	1
33	08151	Frame - Trailing	1
34	08152	Pin - Clevis	4
35		Stud - Hub 1/2"-20	8
36	08154	Hub	2
37	08155	Bearing - Cup	2
38	08156	Bearing - Cone	2
39	08157	Cap - Wheel Hub	2
40	08159	Seal - Hub	2
41	08160	Frame - Roller	1
42	08161	Pivot - Roller Arm LH	1
43	08162	Pivot Hanger - LH	1
44	08163	Pivot Hanger - RH	1
45	08164	Shaft Roller	1
46	08165	Roller	1
47	08166	Bracket - Scraper	1
48	08167	Scraper - Clamp	1
49	08168	Rubber - Scraper	1

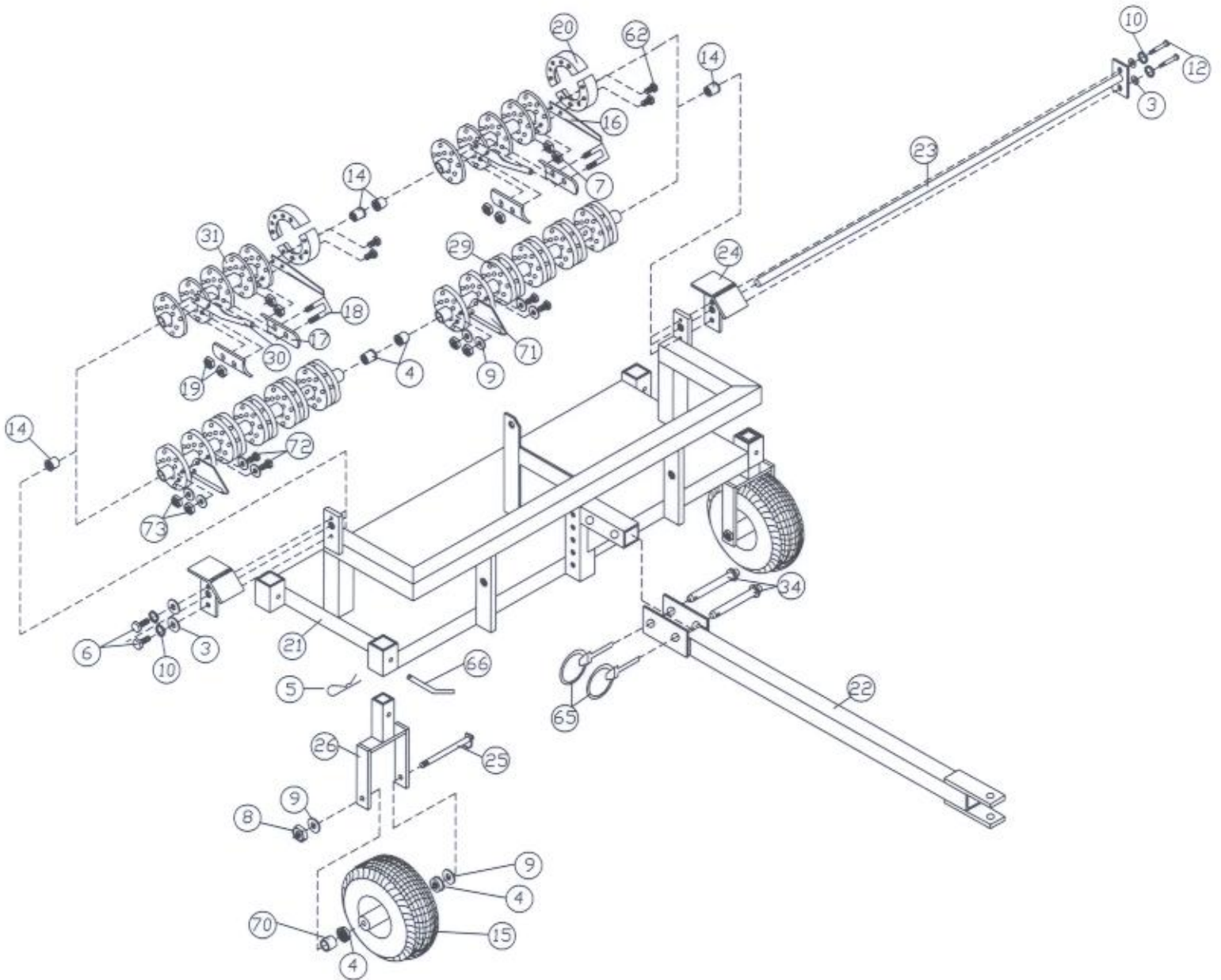
<u>Item No.</u>	<u>Part No.</u>	<u>Part Description</u>	<u>Qty.</u>
50	08170	Hose - Hydraulic 3/8" NPT	2
51	08171	Chain - Connector	4
52	08172	Chain - Suspension	2
53	08173	Pin - Adjusting Link	1
54	08174	Pin - Hitch	1
55	08175	Link - Adjusting	1
56	08176	Bolt - Eye	2
57	08175	Link - Adjusting	1
58	11210	Bolt, 3/8"-16 X 2.5" HHC	6
59	11211	Bolt, 3/8"-16 X 3" HHC	4
60	11234	Bolt, 1/2"-13 X 2" HHC	2
61	15027	Bearing, Roller	2
62	15041	Bolt, 3/4"-10 X 2" HHC	2
63	15042	Washer, 3/4" Lock	2
64	08126	Pin, Tow	2
65	15045	Pin, Lynch	2
66	15049	Pin - Pull, 3/8" X 3.5"	8
67	15150	Cylinder - Hydraulic	1
68	15152	Fitting - Cylinder	2
69	R10525	Wheel & Tire Assembly	2
70		Spacer, Wheel 1/2" X 1"	2
71	08112	Tine, Fracture	40
72	11222	Bolt, 1/2"-20 X 2" HHC	80
73	08549	Nut, 1/2"-20 Stover	80
74	08169	Lockout Assembly	1
75	08556	Jack, Screw	1

BA - 400  
3 POINT HITCH KIT



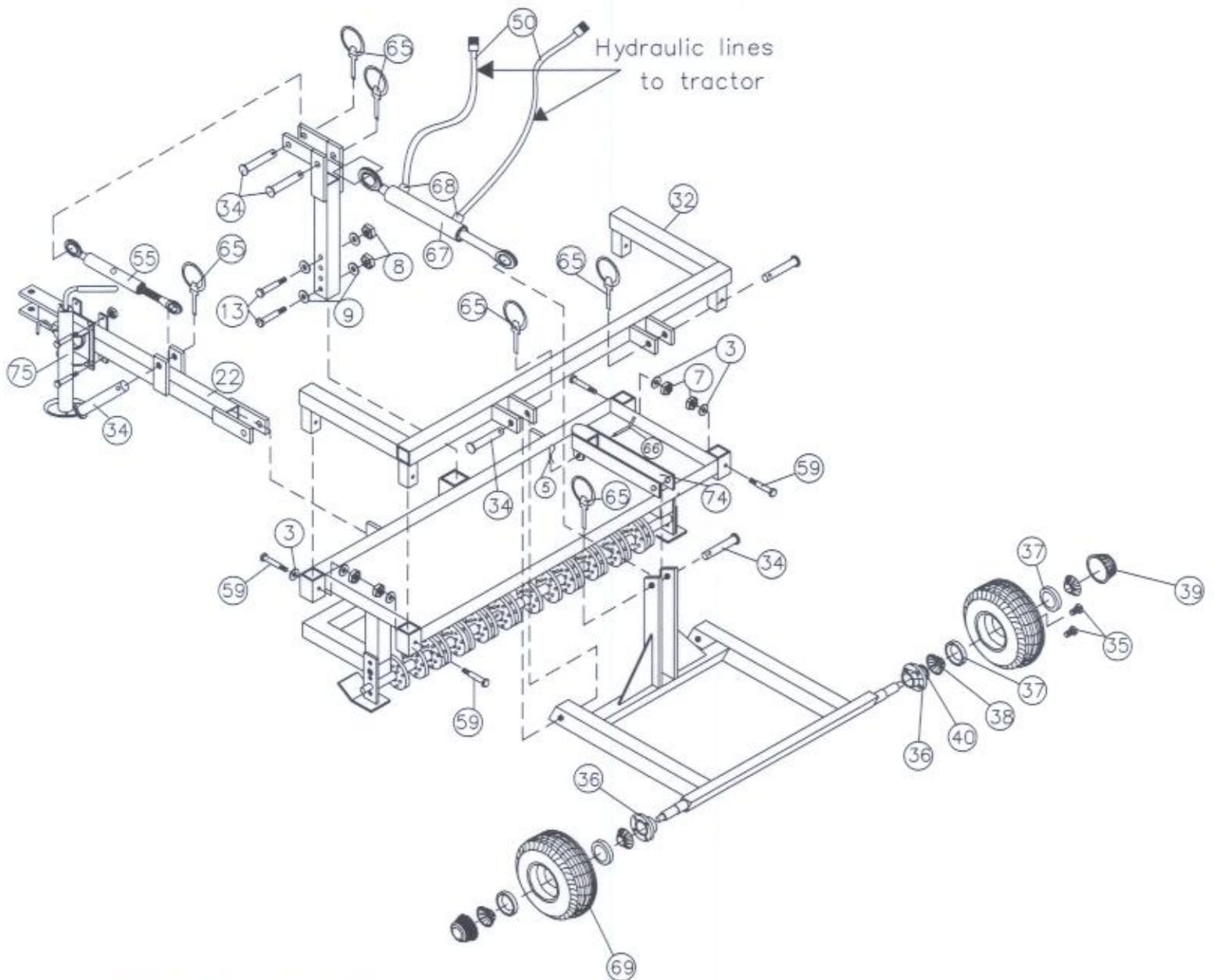
Drawing ID#: B4003PT3D/10  
Updated: January 2010

# BA-400 CT/SS/ST



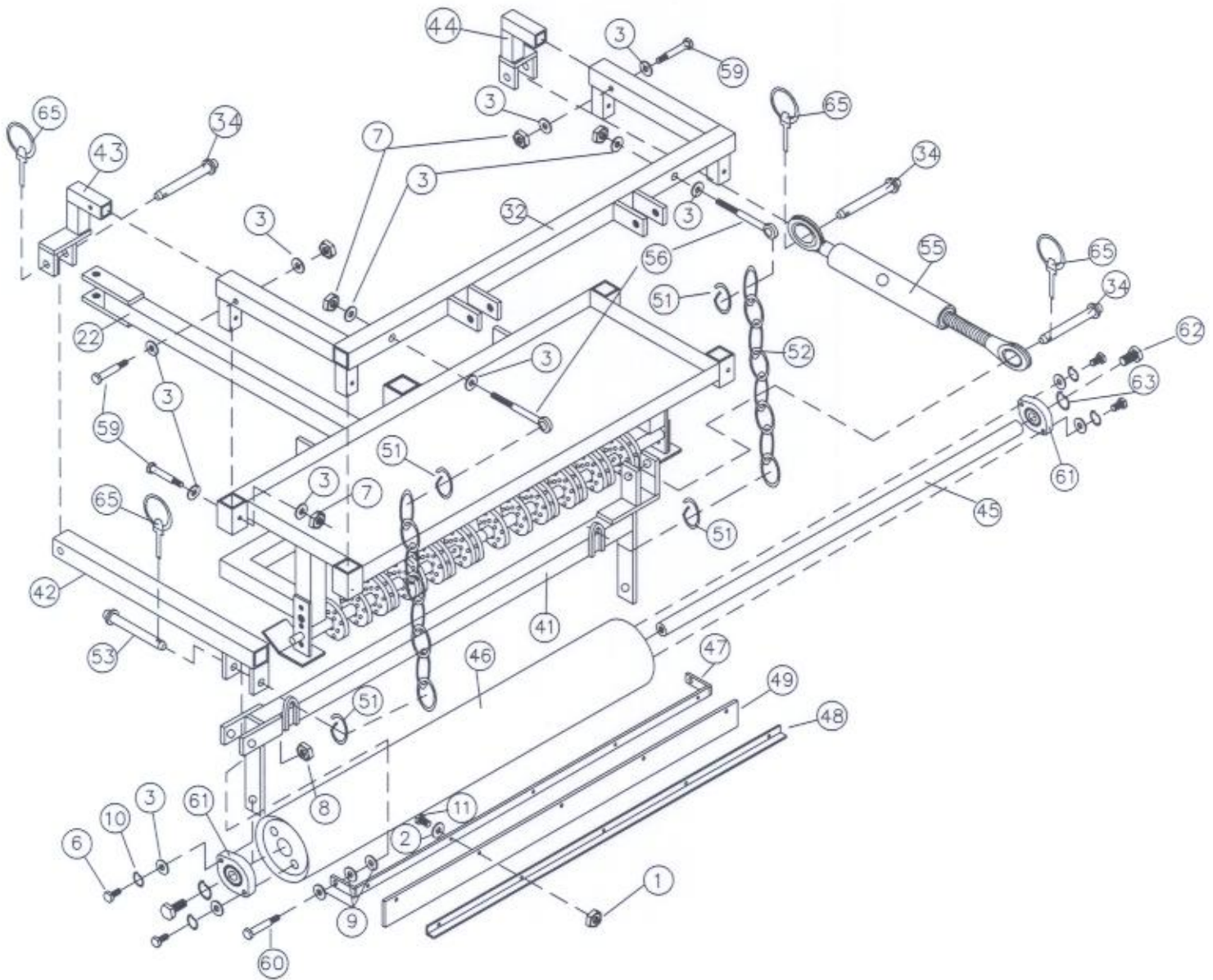
Drawing ID#: 081013D/10  
Updated: January 2010

# BA-400 TAG-ALONG KIT



Drawing ID#: 3D01801/10  
Updated: January 2010

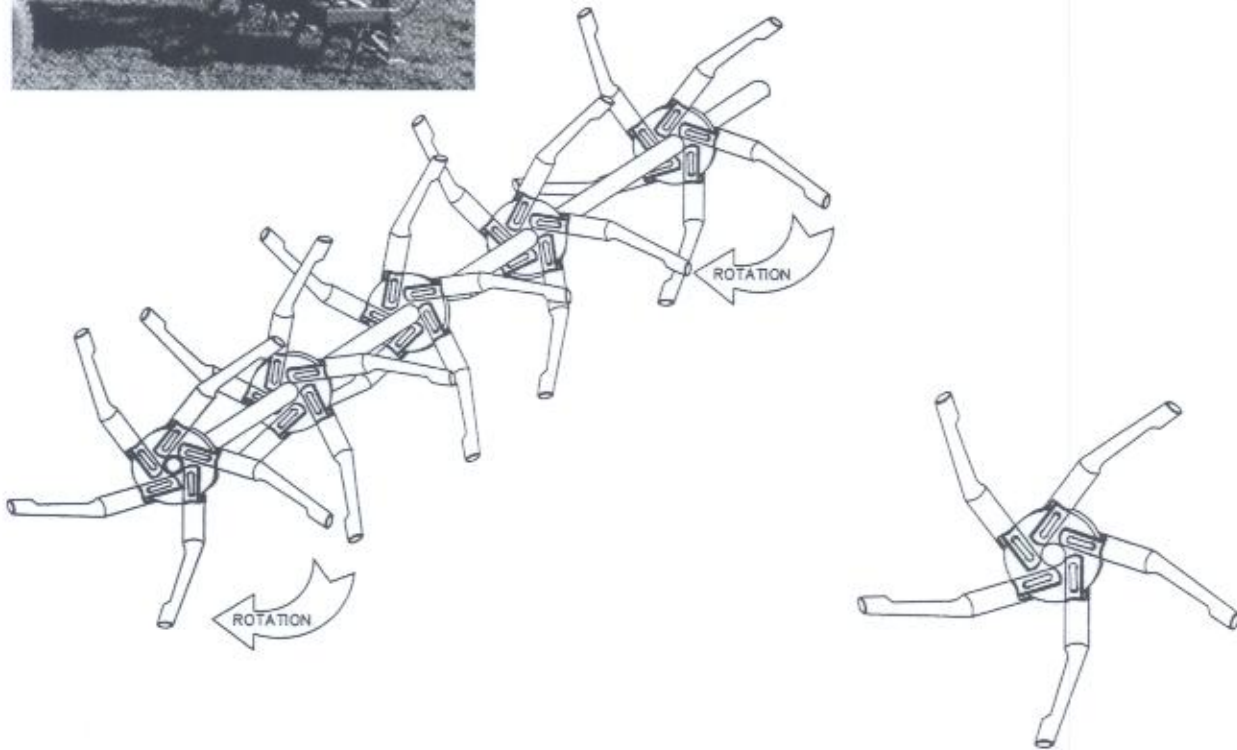
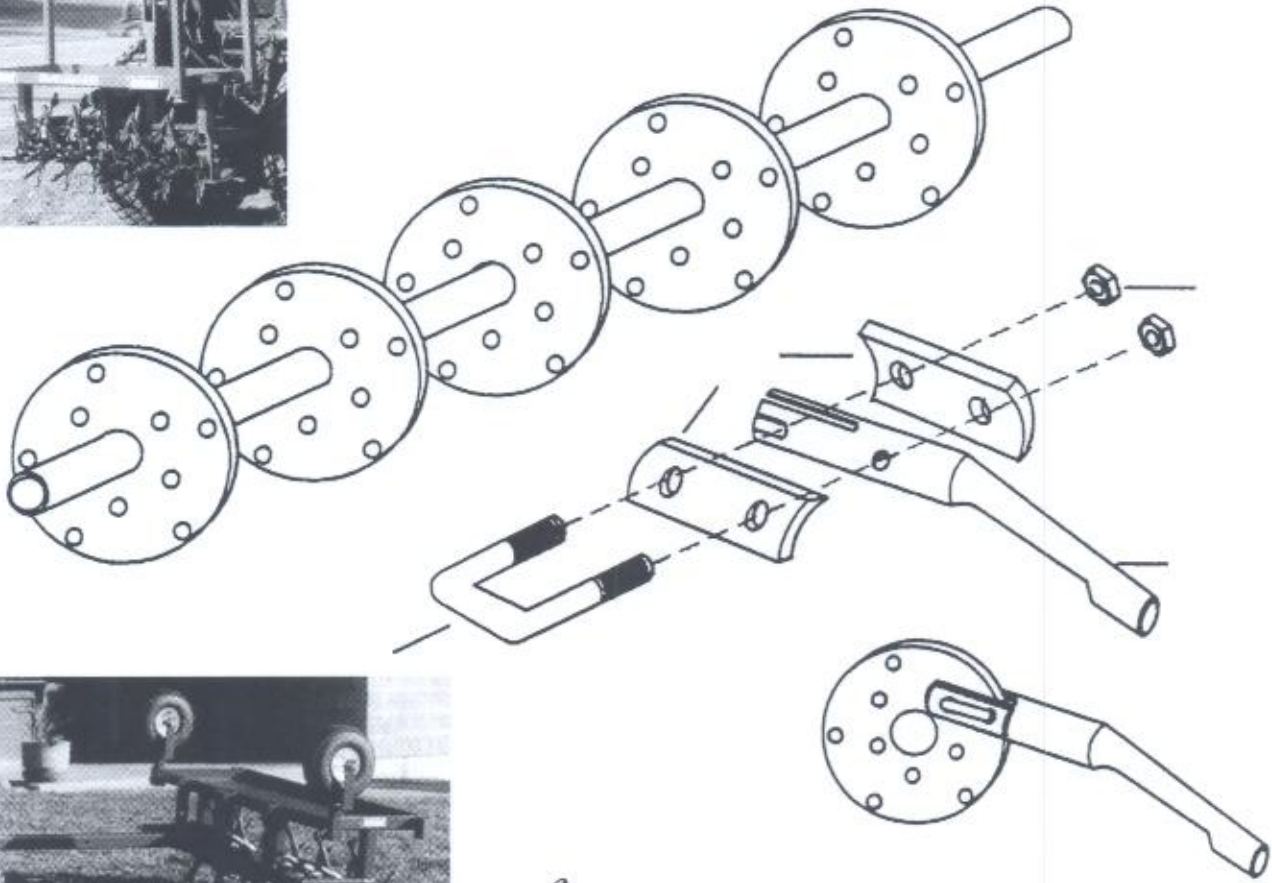
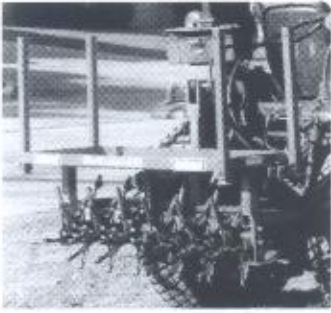
# BA-400 ROLLER KIT



Drawing ID#: B400RK3D/10  
Updated: January 2010



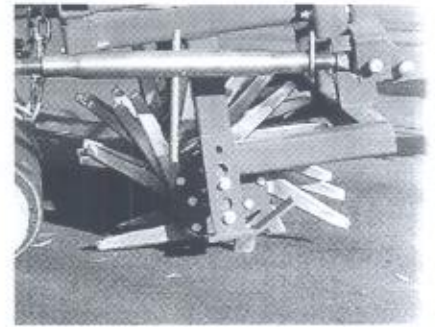
# BA-400 Multi-Ject Aerator Core Tine Installation







# BA-400 Multi-Ject Aerator Slitter/Slicer Tine Installation

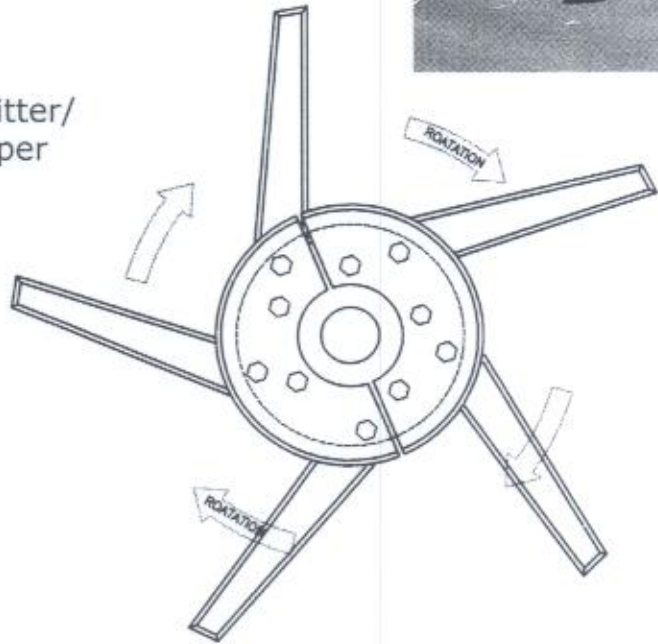


Two 08094 Discs are required per plate.

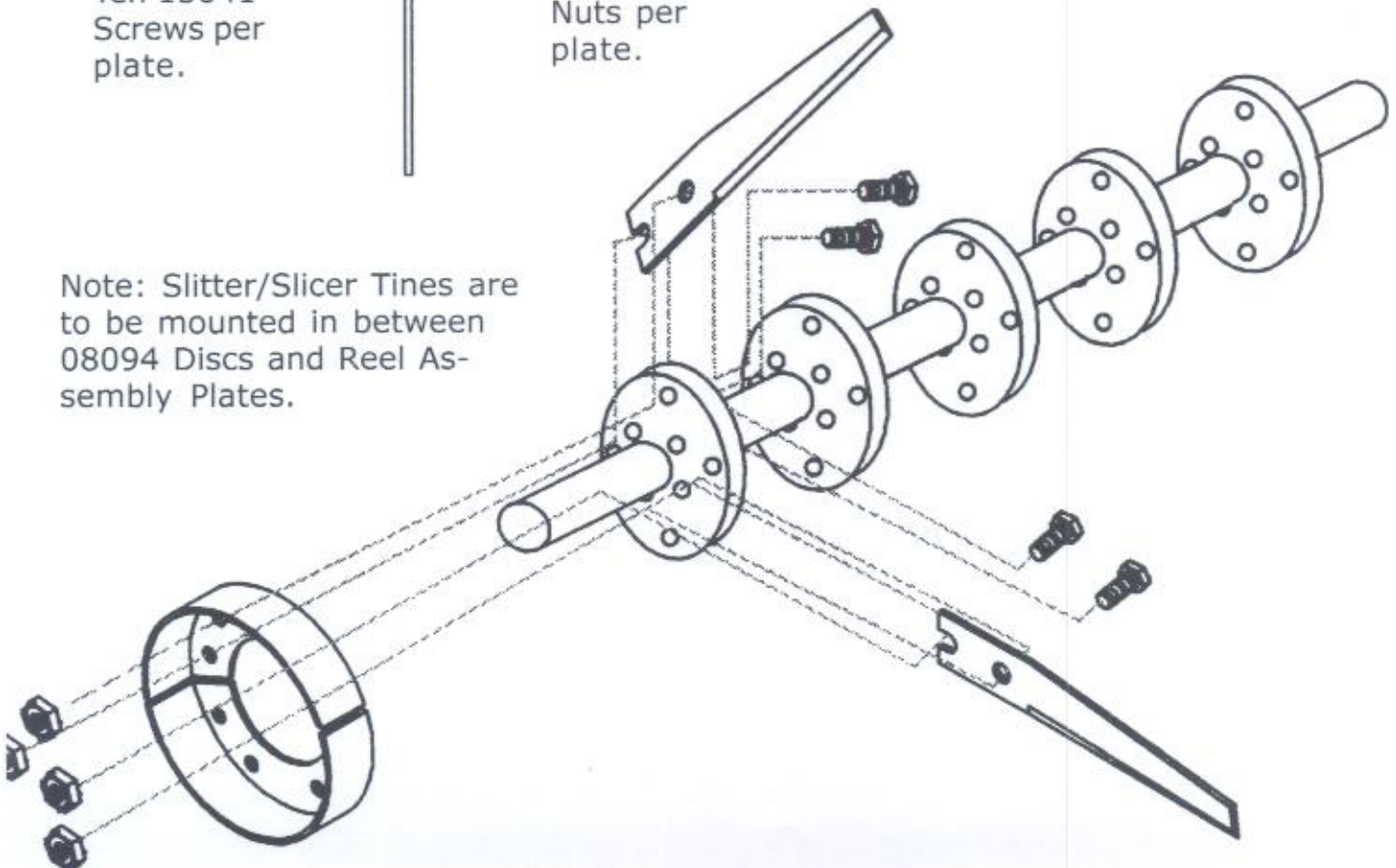
Five 08067 Slitter/Slicer Blades per plate.

Ten 15041 Screws per plate.

Ten 03022 Nuts per plate.

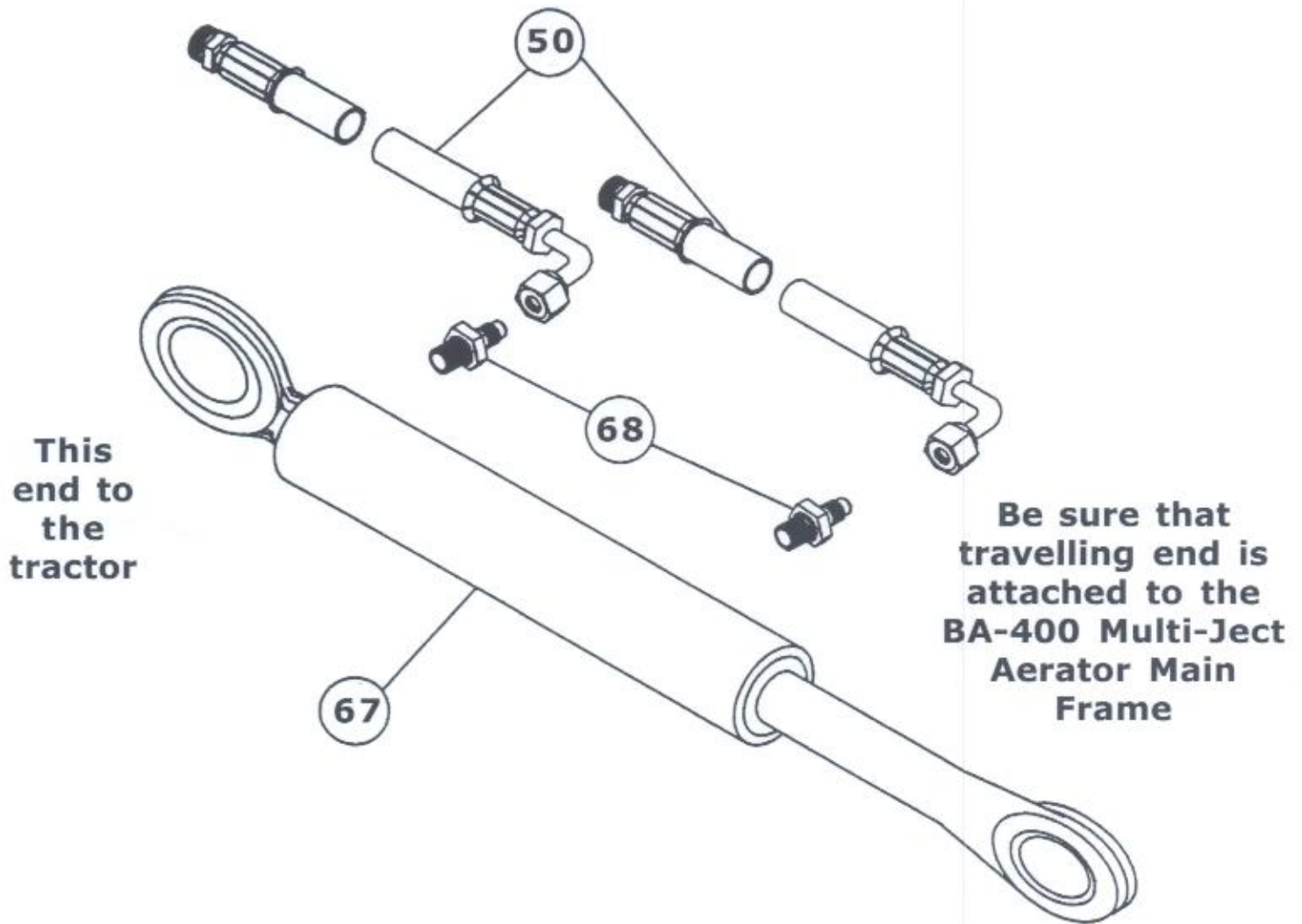


Note: Slitter/Slicer Tines are to be mounted in between 08094 Discs and Reel Assembly Plates.

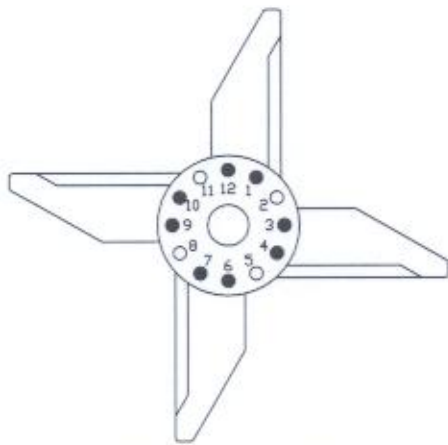
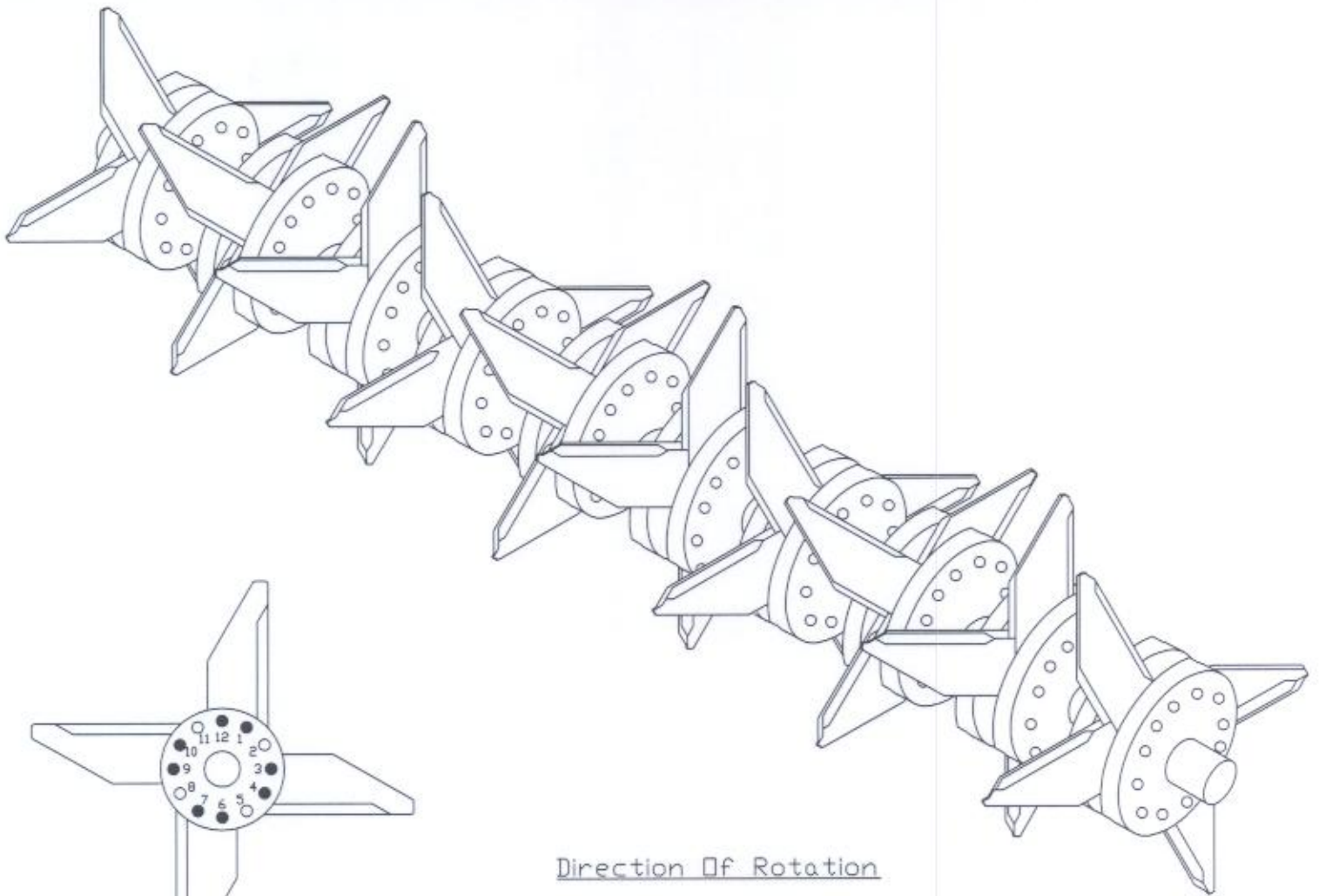




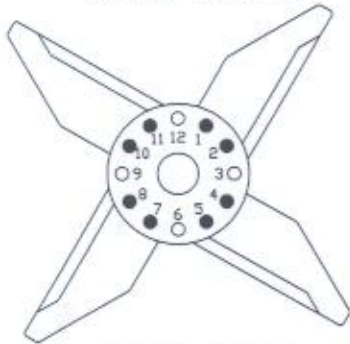
# BA-400 Multi-Ject Aerator Hydraulic Top Link



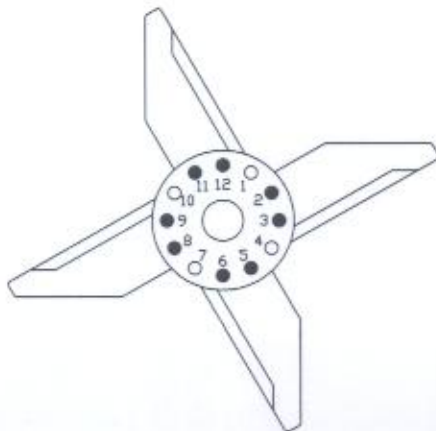
**08170 Hoses are 108" long.  
Hose ends are 3/8" NPT for No. 3 Quick Connectors.  
Hoses are rated at 4000 PSI capacity.  
Cylinders are rated at 2500 PSI Capacity.**



Reel# 1,4,7,10



Reel# 2,5,8



Reel# 3,6,9

Direction Of Rotation

